

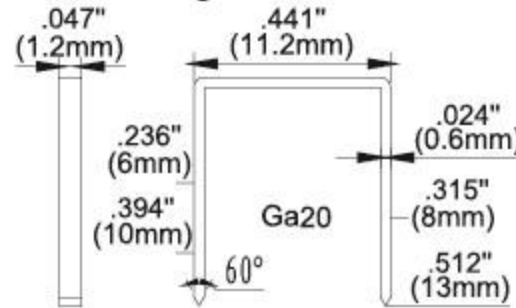
STAPLER

-  Construction & Industry
-  Home Improvement
-  Furniture Factory

AIR NAILER

Ga20 Wide Crown Stapler

- Alum die casting gun body.
- Easily open magazine latch for fast loading by one hand.
- Working life of drive pin is over 150 thousand times.
- Aviation grade bumper.
- Sequential fire.
- TPE handle sheath, hard to frost crack.
- Wear resistant hard anodized alum magazine.



1013J

SPECLFICATIONS

Model No:1013J

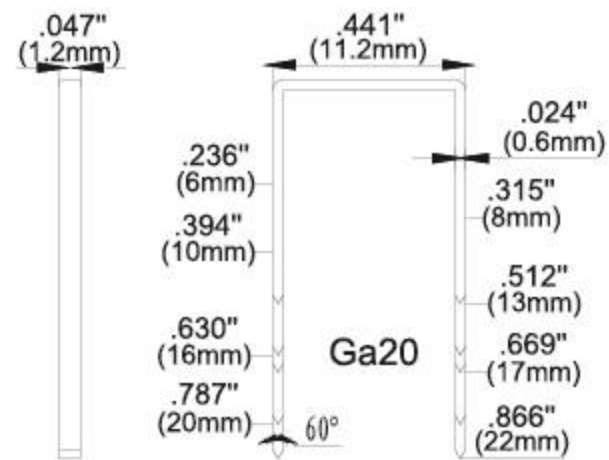
Weight:0.9Kg(1.9Lb)

Max.pressure:120Psi(8.3Bar)

Dimension:210x145x45mm(8.26"x5.70"x1.77")

Working pressure:70-110Psi(4.8-7.5Bar)

Load Capacity:70Pcs



1022J

SPECLFICATIONS

Model No:1022J

Weight:1.25Kg(2.71Lb)

Max.pressure:120Psi(8.3Bar)

Dimension:241x186x54mm(9.48"x7.32"x2.12")

Working pressure:70-110Psi(4.8-7.5Bar)

Load Capacity:100Pcs

AIR NAILER

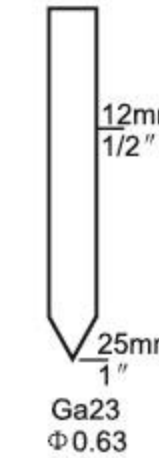
AIR PIN NAILER/PALM NAILER

-  Construction & Industry
-  Home Improvement
-  Furniture Factory

Pin Nailer

H625

- Headless pin for perfect decoration without mark.
- Nail length regular automatically to desire pin length.
- Complicate with: Senco finish pro 10, Accuset a 100mp, porter cable pin100.



SPECLFICATIONS

Model No:H625

Weight:1.0Kg(2.2Lb)

Max.pressure:120Psi(8.3Bar)

Dimension:215x162x45mm(8.46"x6.37"x1.77")

Working pressure:60-100Psi(4-7Bar)

Load Capacity:140Pcs

Air Palm Nailer

MSN90

- Magnetic nose holds a fastener in place for safe and accurate fastener placement
- Accepts a 2-1/2" - 3-1/2" bulk fasteners
- Light weight for easy maneuverability
- 360 Degree swivel fitting for maximum maneuverability and ease of use
- Ideal for installing Joist hangers and metal connectors



SPECLFICATIONS

Model No:MSN90

Weight:0.35Kg(0.8Lb)

Max.pressure:120Psi(8.3Bar)

Dimension:103x53x103mm(4.05"x2.08"x4.05")

Working pressure:70-100Psi(5-7Bar)

Load Capacity:1Pcs