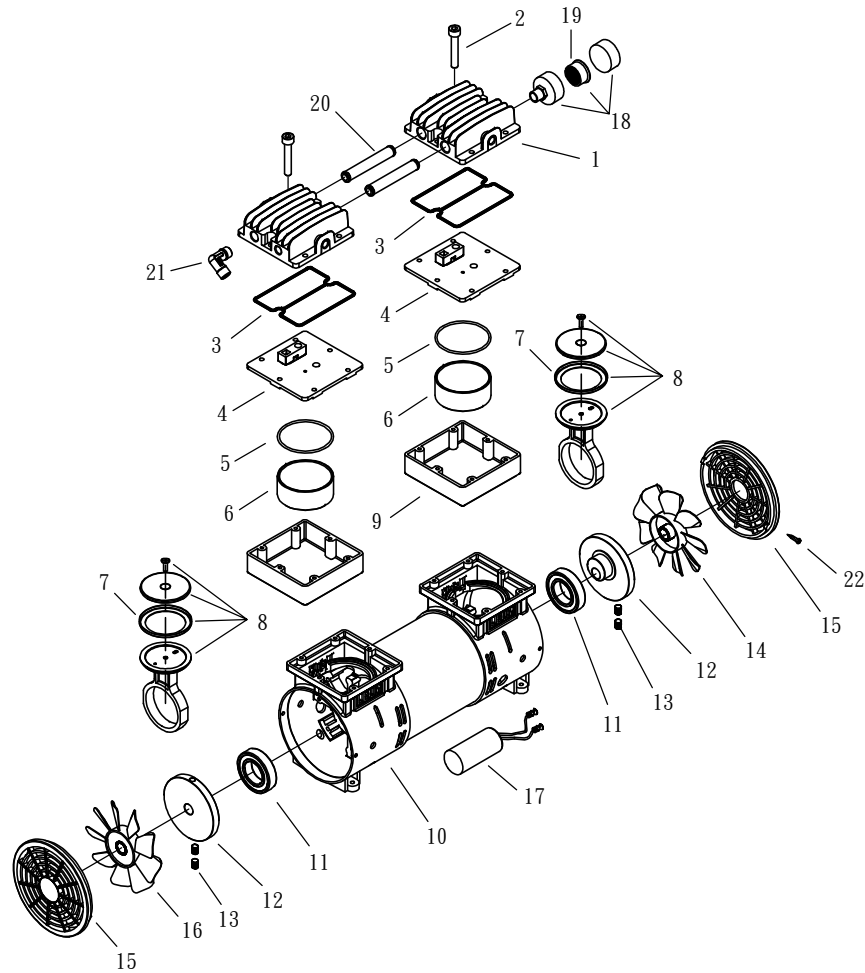


MODEL :WE125(Pump)

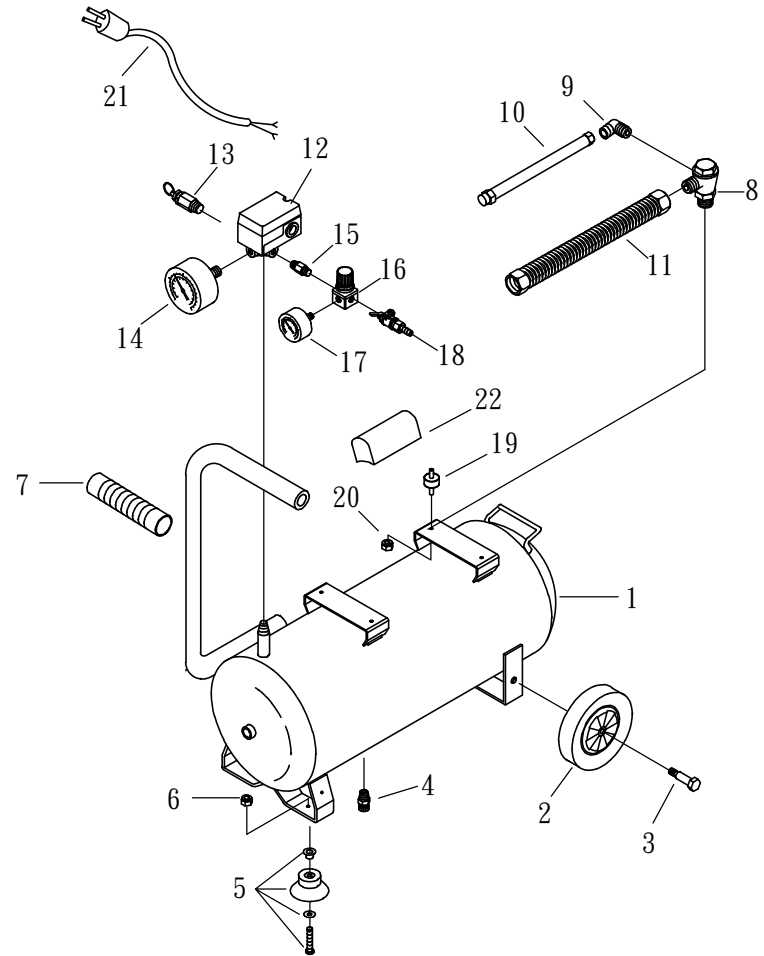


SPARE PARTS LIST

NO : EFX-2109

REF. NO.	DESCRIPTION	PART NO.	QTY.	REF. NO.	DESCRIPTION	PART NO.	QTY.
1	Cylinder head	3101-WE06	2	12	Crankshaft & balancer	3304-WE08H	1
2	Hexagon socket set bolt	3B00-M05*050W	12	13	Set screw	2B07-SM08*16	4
3	Cylinder head seal	2G01-WE06	2	14	Cooling fan(L)	2336-WE06L	1
4	In. & Ex. valve assembly	3B13-WE06	2	15	Front cover	3309-WE06	2
5	Valve seat seal	2G03-WE06	2	16	Cooling fan(R)	2336-WE06R	1
6	Cylinder	3201-WE08H	2	17	Running capacitor	2E27-020F45X38	1
7	Piston ring plate	2214-WE06	2	18	Air filter	2140-OTS02	1
8	Piston rod set	3B3-WE08	2	19	Filter element	2142020	1
9	Cylinder support	3201H-WE08H	2	20	Nipple	2N01-WE06	2
10	Motor set	3B8-WE0807	1	21	Exhaust elbow	2N06-02T03H	1
11	Bearing	2N35-WE06ROD	2	22	Plug	2B17-FW01*03B	4

MODEL :WE125(Receive Tank)



SPARE PARTS LIST

NO : EFX-2109

REF. NO.	DESCRIPTION	PART NO.	QTY.	REF. NO.	DESCRIPTION	PART NO.	QTY.
1	Air tank	3401A201	1	12	Pressure switch	2E21-028P	1
2	Tank wheel	2402050X	2	13	Pressure relief valve	2406052X	1
3	Tank wheel bolt	2418001	2	14	Pressure gauge	2D12-20D14KS	1
4	Drain valve	2405012	1	15	Nipple	2N01-045	1
5	Rubber pad set	3433005-A	2	16	Regulator	2408008LNX	1
6	U-nut	2B21-PM05	2	17	Pressure gauge	2D12-15D14KS	1
7	Grip	2432004	1	18	Ball valve	2413001X	1
8	Check valve	2414036X	1	19	Feet block	3439-WE06	4
9	Unloading elbow	2N06-01T02H	1	20	Hexagon head nut	2B20-FM06	4
10	Tube set	3B2-02*300F	1	21	Power wire	2E01-043X	1
11	Exhaust sofe tube	2T02-03*0300GJ	1	22	Capacitor box	3E23-A52*B2N	1