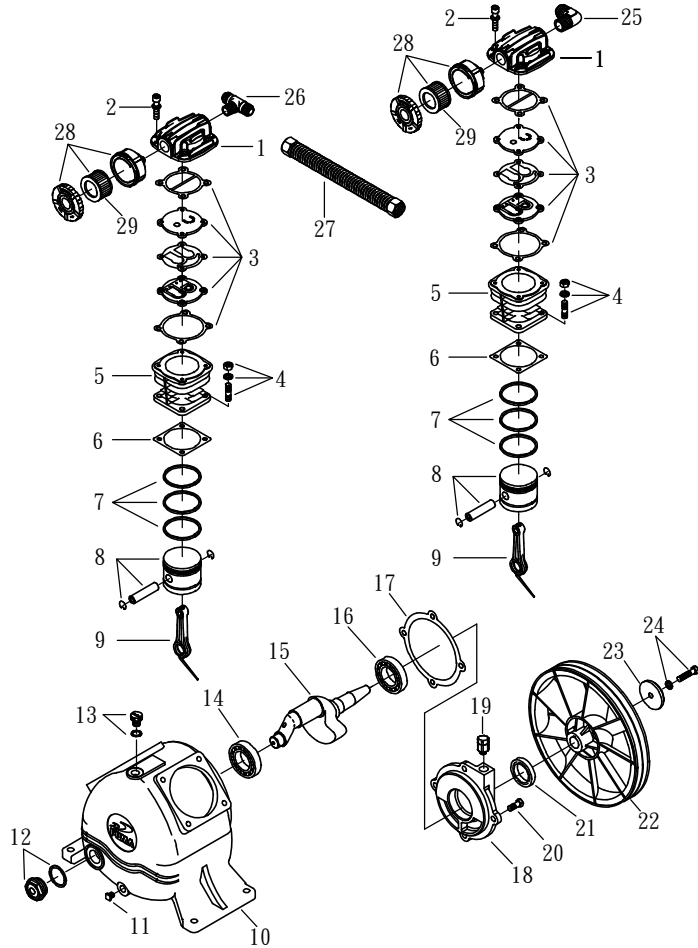


MODEL : PK2090IS2(Pump)

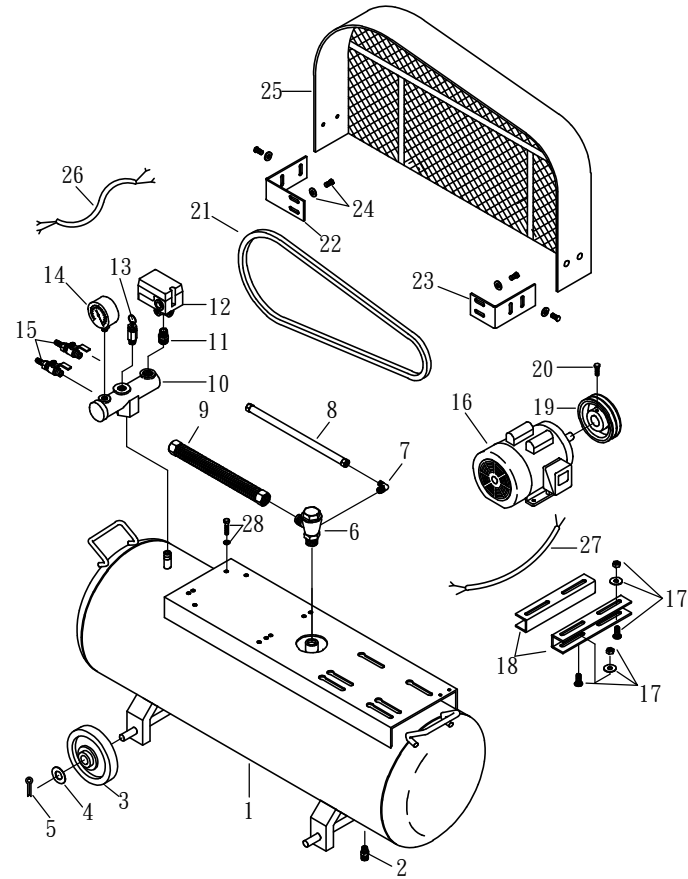


SPARE PARTS LIST

NO : EFX-2111

REF. NO.	DESCRIPTION	PART NO.	QTY.	REF. NO.	DESCRIPTION	PART NO.	QTY.
1	Cylinder head	3101103	2	16	Bearing	2N35-6205ZX	1
2	Allen bolt set	3B01-M06*040V	8	17	Rear bearing seat gasket	2G06-008	1
3	In. & Ex. valve assembly	3B13-AC0765C	2	18	Rear bearing seat	3311034	1
4	Double head screw set	3B11-001-A	8	19	Breathing cover	2321008	1
5	Cylinder	3201035G	2	20	Hexagon bolt	2B00-SM08*020	4
6	Cylinder gasket	2G04-003	2	21	Oil seal	2N50-TC24*47*07	1
7	Piston ring set	3B32-65N	2	22	Pulley	3PBF-105A124	1
8	Piston set	3B31-65N	2	23	Plate washer	2B30-08*35*35	1
9	Rod set	3B33-H20601	2	24	Hexagon bolt set	3B00-SM08*035AV	1
10	Crankcase	3301125B	1	25	Exhaust elbow	2N06-04T04H	1
11	Oil draining plug	2N33-002	1	26	Exhaust three way pipe	2N09-04H04T04H1	1
12	Oil sight gauge set	2303012A	1	27	Exhaust tube set	3B2-04*240	1
13	Oil filling plug set	2319003A	1	28	Air filter set	2140020A	2
14	Bearing	2N35-6204X	1	29	Filter element	2142013	2
15	Crankshaft & balancer	3304038	1				

MODEL : PK2090IS2 (Receiver Tank)

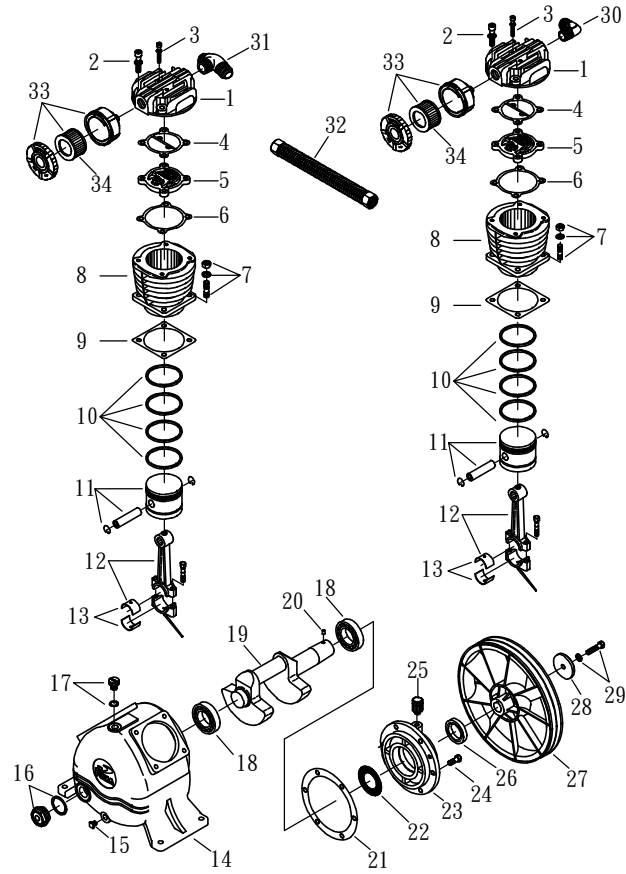


SPARE PARTS LIST

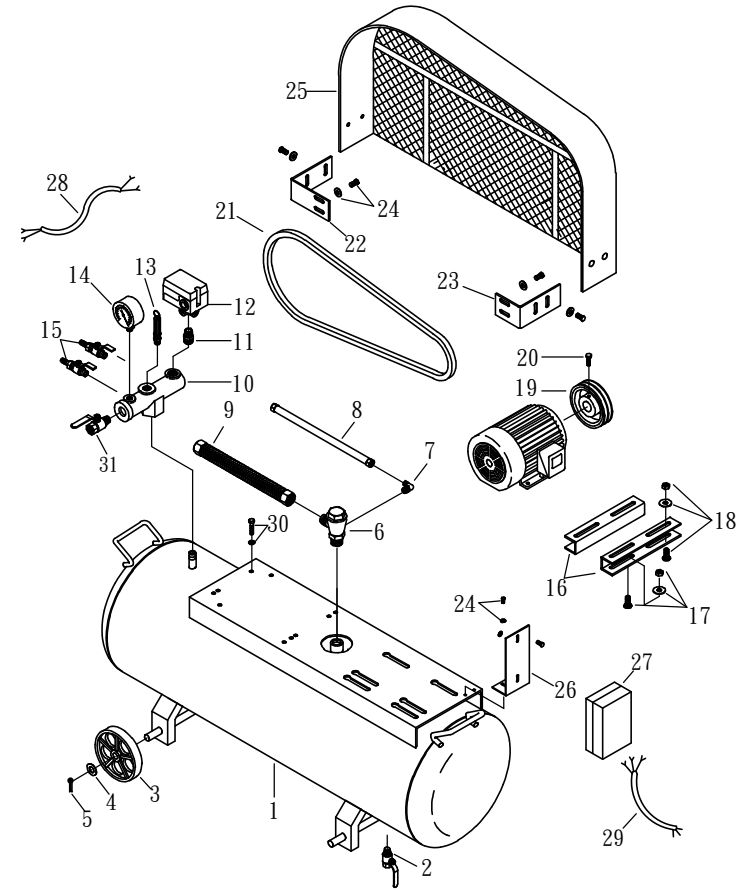
NO : EFX-2111

REF. NO.	DESCRIPTION	PART NO.	QTY.	REF. NO.	DESCRIPTION	PART NO.	QTY.
1	Air tank	3401A101	1	15	Ball valve	2413001X	2
2	Drain valve	2405012	1	16	Motor	2M02-F25207	1
3	Tank wheel	2402002	4	17	Motor feet bolt set	3B08-FM08*20-M	8
4	Plate washer	2B30-13*26*12	4	18	Motor base	3421003	2
5	Cotter pin	2N40-W01*10	4	19	Motor pulley	3PMF-030A1M2408	1
6	Check valve	2414025	1	20	Allen bolt	2B07-SM08*20	2
7	Unloading elbow	2N06-01T02H	1	21	V-belt	2N31-A46	1
8	Unloading tube	3B2-02*660F	1	22	Set bracket	3427008	1
9	Exhaust tube set	3B2-04*470	1	23	Set bracket	3427028	1
10	Exhaust manifold	2N09-04H04T04H1	1	24	Hexagon head bolt	3B00-FM08*015W	8
11	Nipple	2N01-001	1	25	Belt guard	3426017	1
12	Pressure switch	2E21-031P	1	26	Cable	2E02-2520202Y2Q	1
13	Pressure relief valve	2406052X	1	27	Cable	2E02-2521252Y2Q	1
14	Pressure gauge	2D12-25V20K	1	28	Hexagon bolt set	3B00-FM08*025V	4

MODEL :PK30-120 (Pump)



MODEL : PK30-120 (Receiver Tank)



SPARE PARTS LIST

NO:EFX-2008

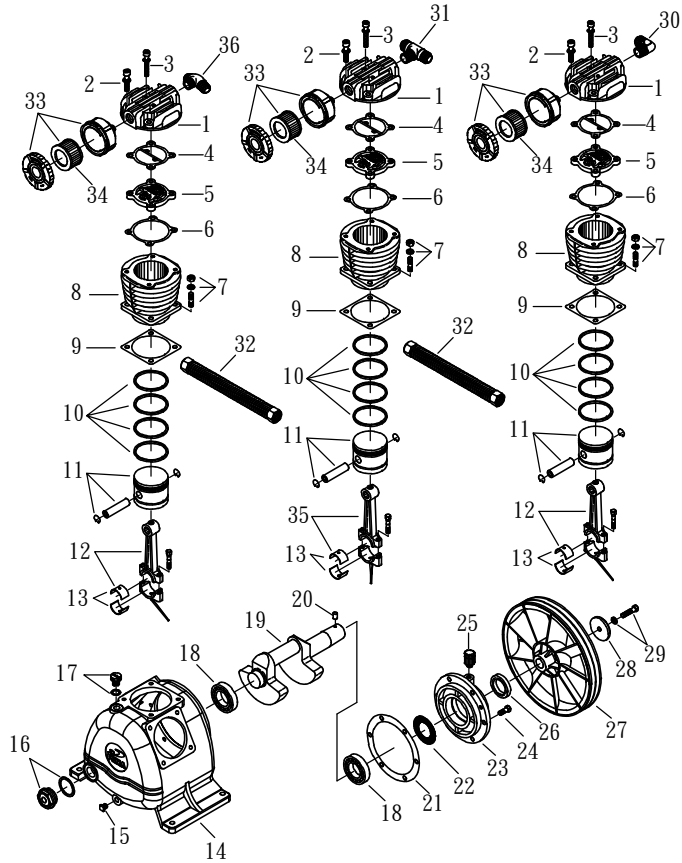
REF. NO.	DESCRIPTION	PART NO.	QTY.	REF. NO.	DESCRIPTION	PART NO.	QTY.
1	Cylinder head	3101092	2	18	Bearing	2N35-6206X	2
2	Allen bolt set	3B01-M10*050V	8	19	Crankshaft & balancer	3304024	1
3	Allen bolt set	3B01-M06*055Z	4	20	Pulley key	2N47-63*09	1
4	Cylinder head gasket	2G01-011C	2	21	Rear bearing seat gasket	2G06-002	1
5	Inlet&Exhaust valve assembly	3B13-AP80	2	22	Oil mesh	2352001	1
6	Valve seat gasket	2G03-005C	2	23	Rear bearing seat	3311002	1
7	Double head screw set	3B11-003-A	8	24	Hexagon bolt	2B00-SM10*025	6
8	Cylinder	3201015G	2	25	Breathing cover	2321008	1
9	Cylinder gasket	2G04-009	2	26	Oil seal	2N50-TC30*50*11	1
10	Piston ring set	3B32-80N	2	27	Pulley	3PBF-145A230M	1
11	Piston set	3B31-80L	2	28	Pulley washer	2B34-13*52*14	1
12	Rod set	3B33-P2338X	2	29	Hexagon bolt set	3B00-SM12*050V	1
13	Crank rod bush(2 Pieces)	2316001-BX	2	30	Exhaust elbow	2N06-06T06H	1
14	Crankcase	3301126B	1	31	Exhaust three way pipe	2N09-06H06T06H2	1
15	Oil draining plug	2N33-002	1	32	Exhaust tube set	3B2-06*340	1
16	Oil sight gauge set	2303016A	1	33	Air filter	2140009	2
17	Oil filling plug set	2319004A	1	34	Filter element	2142002	2

SPARE PARTS LIST

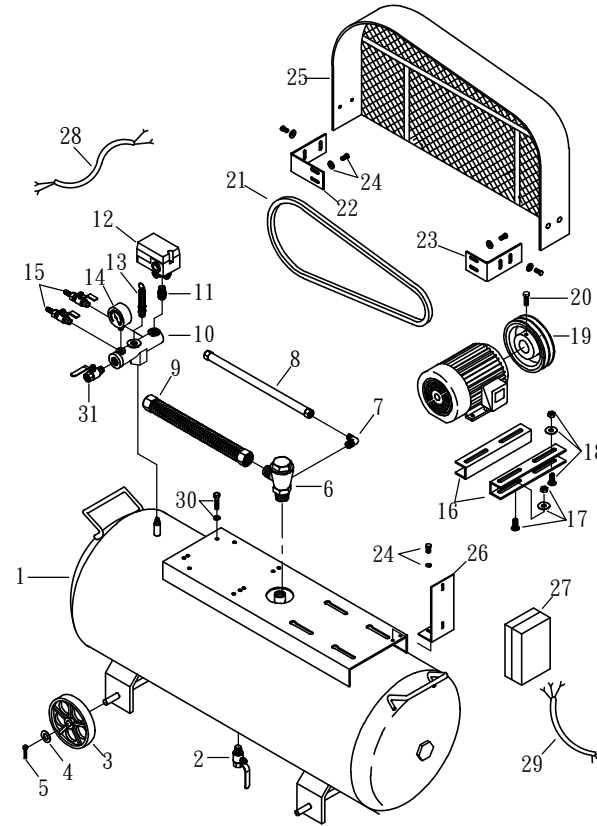
NO:EFX-2008

REF. NO.	DESCRIPTION	PART NO.	QTY.	REF. NO.	DESCRIPTION	PART NO.	QTY.
1	Air tank	3401A103	1	17	Motor feet bolt set	3B08-FM10*25-M	4
2	Ball valve	2413058	1	18	Motor feet bolt set	3B08-FM10*38-M	4
3	Tank wheel	2402003	4	19	Motor pulley	3PMF-065A2M2808	1
4	Plate washer	2B30-23*46*12	4	20	Hexagon bolt	2B00-SM08*020	2
5	Cotter pin	2N40-W015*14	4	21	V-belt	2N31-A68	2
6	Check valve	2414031	1	22	Set bracket	3427009	1
7	Unloading elbow	2N06-01T02H	1	23	Set bracket	3427029	1
8	Unloading tube	3B2-02*810F	1	24	Hexagon head bolt	3B00-FM08*015W	10
9	Exhaust tube set	3B2-06*610	1	25	Belt guard	3426018	1
10	Exhaust manifold	3415011	1	26	Magnetic switch seat	3417001	1
11	Nipple	2N01-002	1	27	Magnetic switch	2E22-03*5641X	1
12	Pressure switch	2E21-031P	1	28	Cable	2E02-1521402Y2Y	1
13	Pressure relief valve	2406053X	1	29	Cable	2E02-2530303Y3Q	1
14	Pressure gauge	2D12-25V20K	1	30	Hexagon bolt set	3B00-FM10*035V	4
15	Ball valve	2413001X	2	31	Ball valve	2413007X	1
16	Motor base	3421004	2				

MODEL : PK50160 (Pump)



MODEL : PK50-160 (Receive Tank)



SPARE PARTS LIST

NO:EFX-2008

REF. NO.	DESCRIPTION	PART NO.	QTY.	REF. NO.	DESCRIPTION	PART NO.	QTY.
1	Cylinder head	3101092	3	19	Crankshaft & balancer	3304025	1
2	Allen bolt set	3B01-M10*050V	12	20	Pulley key	2N47-63*09	1
3	Allen bolt set	3B01-M06*055Z	6	21	Rear bearing seat gasket	2G06-002	1
4	Cylinder head gasket	2G01-011C	3	22	Oil mesh	2352002	1
5	Inlet&Exhaust valve assembly	3B13-AP80	3	23	Rear bearing seat	3311003	1
6	Valve seat gasket	2G03-005C	3	24	Hexagon bolt	2B00-SM10*025	6
7	Double head screw set	3B11-003-A	12	25	Breathing cover	2321008	1
8	Cylinder	3201015G	3	26	Oil seal	2N50-TC30*50*11	1
9	Cylinder gasket	2G04-009	3	27	Pulley	3PBF-145A230M	1
10	Piston ring set	3B32-80N	3	28	Pulley washer	2B34-13*52*14	1
11	Piston set	3B31-80L	3	29	Hexagon bolt set	3B00-SM12*050V	1
12	Rod set	3B33-P2346X	2	30	Exhaust elbow	2N06-06T06H	1
13	Crank rod bush(2 pieces)	2316001-BX	3	31	Exhaust three way pipe	2N09-06H06T06H4	1
14	Crankcase	3301127B	1	32	Exhaust tube set	3B2-06*230	2
15	Oil draining plug	2N33-002	1	33	Air filter	2140009	3
16	Oil sight gauge set	2303016A	1	34	Filter element	2142002	3
17	Oil filling plug set	2319004A	1	35	Rod set	3B33-P2337X	1
18	Bearing	2N35-6306X	2	36	Exhaust three way pipe	2N09-06H06T06H2	1

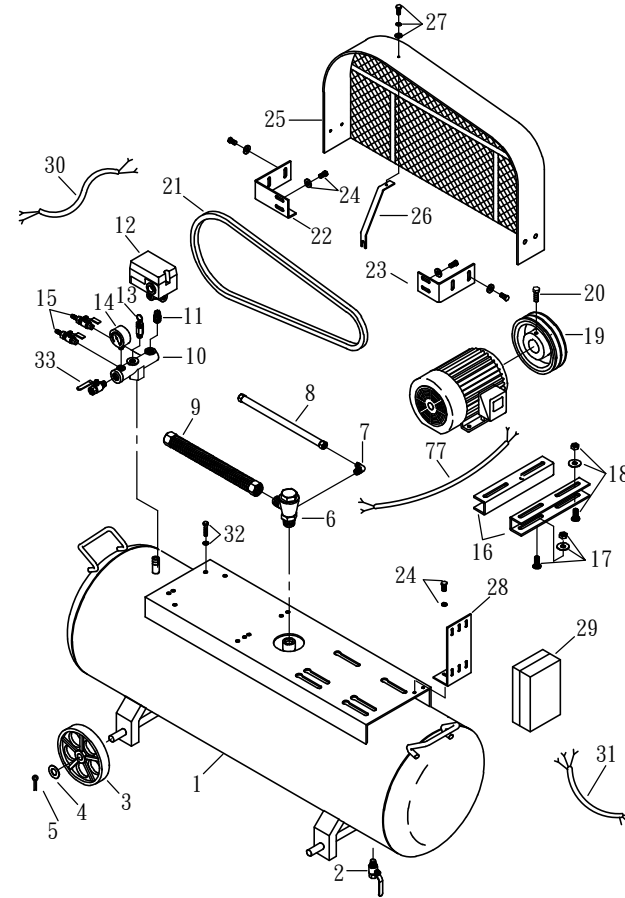
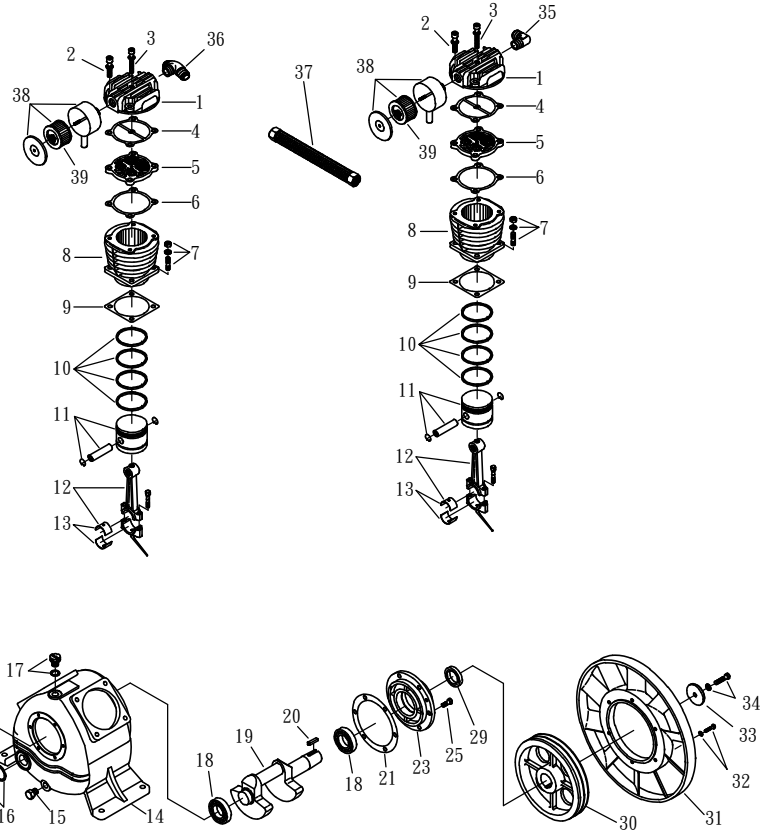
SPARE PARTS LIST

NO:EFX-2008

REF. NO.	DESCRIPTION	PART NO.	QTY.	REF. NO.	DESCRIPTION	PART NO.	QTY.
1	Air tank	3401A059	1	17	Motor feet bolt set	3B08-FM10*25-M	4
2	Ball valve	2413058	1	18	Motor feet bolt set	3B08-FM10*38-M	4
3	Tank wheel	2402003	4	19	Motor pulley	3PMF-070A2M2808	1
4	Plate washer	2B30-23*46*12	4	20	Hexagon bolt	2B00-SM08*020	2
5	Cotter pin	2N40-W015*14	4	21	V-belt	2N31-A69	2
6	Check valve	2414031	1	22	Set bracket	3427009	1
7	Unloading elbow	2N06-01T02H	1	23	Set bracket	3427029	1
8	Unloading tube set	3B2-02*860F	1	24	Hexagon bolt set	3B00-FM08*015W	10
9	Exhaust tube set	3B2-06*570	1	25	Belt guard	3426018	1
10	Exhaust manifold	3415011	1	26	Magnetic switch seat	3417001	1
11	Nipple	2N01-002	1	27	Magnetic switch	2E22-05*5641X	1
12	Pressure switch	2E21-031P	1	28	Cable	2E02-1521552Y2Y	1
13	Pressure relief valve	2406053X	1	29	Cable	2E02-2530303Y3Q	1
14	Pressure gauge	2D12-25V20K	1	30	Hexagon bolt set	3B00-FM10*035V	4
15	Ball valve	2413001X	2	31	Ball valve	2413007X	1
16	Motor base	3421004	2				

MODEL : PK75-250 (Pump)

MODEL : PK75-250 (Receive Tank)



SPARE PARTS LIST

NO : EFX-2008

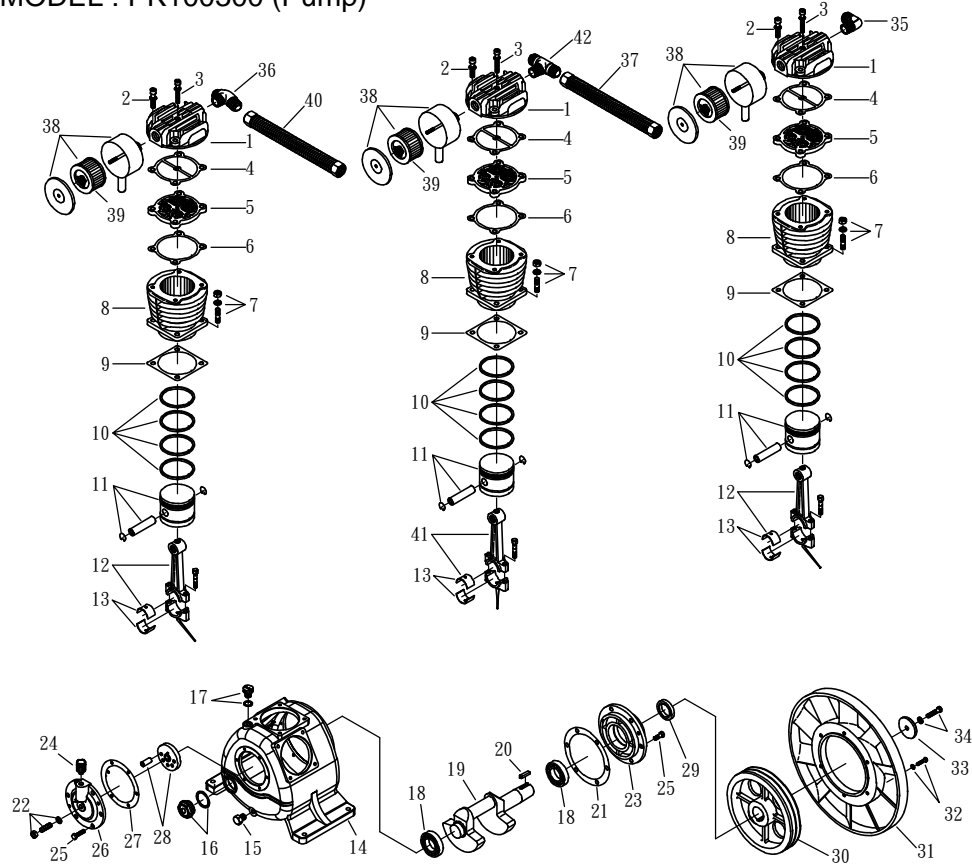
REF. NO.	DESCRIPTION	PART NO.	QTY.	REF. NO.	DESCRIPTION	PART NO.	QTY.
1	Cylinder head	3101094	2	21	Rear bearing seat gasket	2G06-003	1
2	Allen bolt set	3B01-M12*055V	8	22	Bolt set	3B07-SM16*40-A	1
3	Allen bolt set	3B01-M08*055Z	2	23	Rear bearing seat	3311038	1
4	Cylinder head gasket	2G01-012C	2	24	Breathing cover	2321008	1
5	Inlet&Exhaust valve assembly	3B13-AP100	2	25	Hexagon bolt	2B00-SM10*025	12
6	Valve seat gasket	2G03-006C	2	26	Front bearing seat	3309032	1
7	Double head screw set	3B11-004-A	8	27	Front bearing seat gasket	2G05-009	1
8	Cylinder	3201016G	2	28	Thrust block set	3312007-A	1
9	Cylinder gasket	2G04-010	2	29	Oil seal	2N50-TC43*68*12X	1
10	Piston ring set	3B32-100N	2	30	Pulley	3PBPF-115B243	1
11	Piston set	3B31-100L	2	31	Fly wheel	3PBPF-516*228	1
12	Rod set	3B33-P7560X	2	32	Hexagon bolt set	3B00-SM08*035AV	6
13	Crank rod bush(2 pieces)	2316002-BX	2	33	Pulley washer	2B34-13*75*13	1
14	Crankcase	3301128	1	34	Hexagon bolt set	3B00-SM12*050V	1
15	Oil draining plug	2N33-002	1	35	Exhaust elbow	2N06-10T10H	1
16	Oil sight gauge set	2303016A	1	36	Exhaust three way pipe	2N09-10H10T10H3	1
17	Oil filling plug set	2319004A	1	37	Exhaust tube set	3B2-10*390	1
18	Bearing	2N35-32209	2	38	Air filter	2140011	2
19	Crankshaft & balancer	3304026	1	39	Filter element	2142009	2
20	Pulley key	2N47-10*8*40	1				

SPARE PARTS LIST

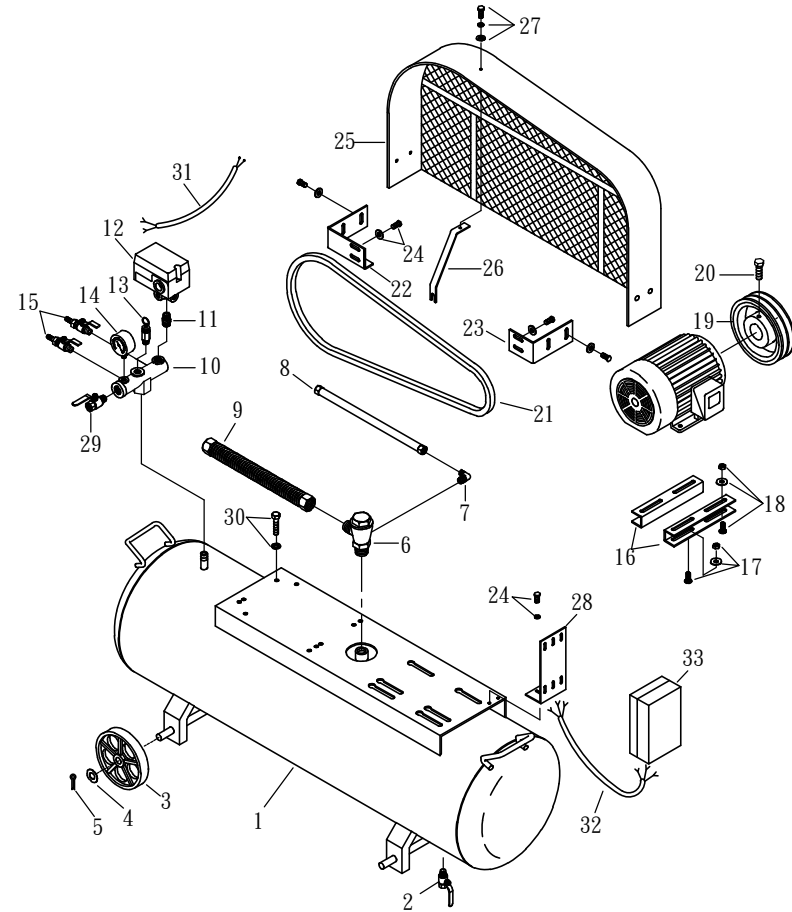
NO : EFX-2008

REF. NO.	DESCRIPTION	PART NO.	QTY.	REF. NO.	DESCRIPTION	PART NO.	QTY.
1	Air tank	3401A105	1	18	Motor feet bolt set	3B08-FM12*42-M	4
2	Ball valve	2413058	1	19	Motor pulley	3PMF-060B2M3810	1
3	Tank wheel	2402004	4	20	Hexagon bolt	2B00-SM08*020	2
4	Plate washer	2B30-23*46*12	4	21	V-belt	2N31-B73	2
5	Cotter pin	2N40-W015*14	4	22	Set bracket	3427010	1
6	Check valve	2414032	1	23	Set bracket	3427030	1
7	Unloading elbow	2N06-01T02H	1	24	Hexagon bolt set	3B00-FM08*015W	10
8	Unloading tube set	3B2-02*910F	1	25	Belt guard	3426019	1
9	Exhaust tube set	3B2-10*750	1	26	Bracket	3427021B	1
10	Exhaust manifold	3415012	1	27	Hexagon bolt set	3B00-FM06*015VW	1
11	Nipple	2N01-002	1	28	Magnetic switch seat	3417001	1
12	Pressure switch	2E21-031P	1	29	Magnetic switch	2E22-07*5641X	1
13	Pressure relief valve	2406054X	1	30	Cable	2E02-1521702Y2Y	1
14	Pressure gauge	2D12-25V20K	1	31	Cable	2E02-2530353Y3Q	1
15	Ball valve	2413001X	2	32	Hexagon bolt set	3B00-FM12*035V	4
16	Motor base	3421005	2	33	Ball valve	2413008X	1
17	Motor feet bolt set	3B08-FM12*28-M	4				

MODEL : PK100300 (Pump)



MODEL : PK100300 (Receive Tank)



SPARE PARTS LIST

NO : EFX-2111

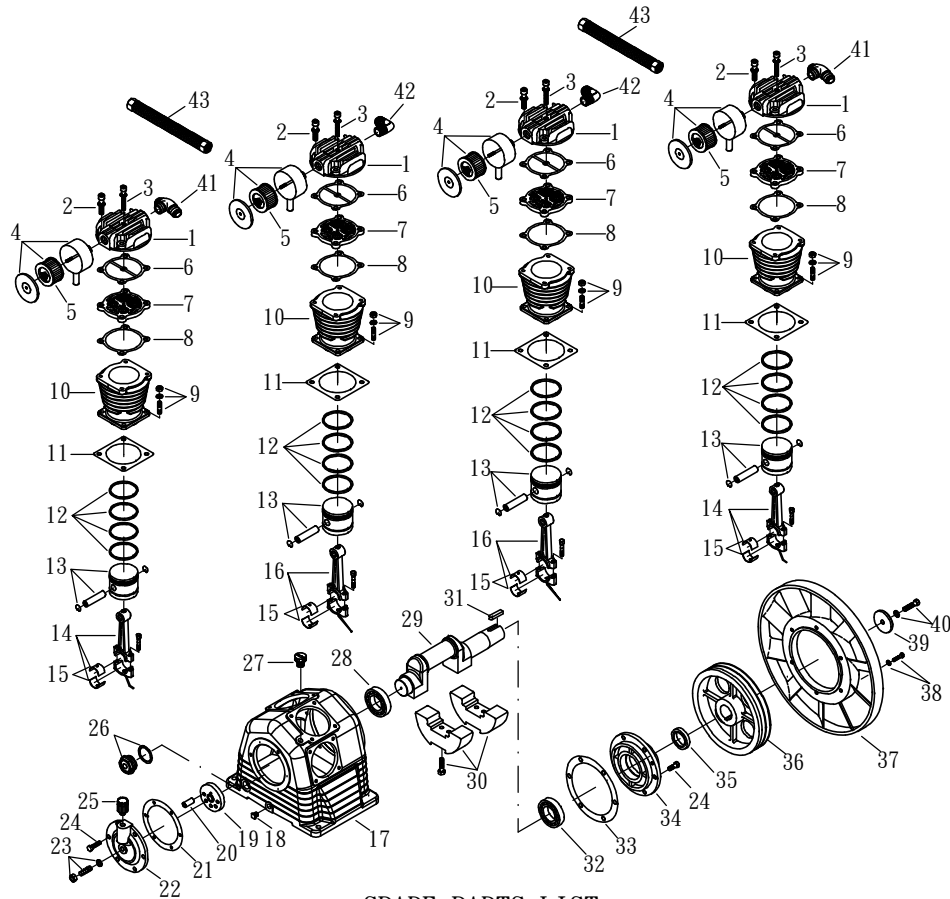
REF. NO.	DESCRIPTION	PART NO.	QTY.	REF. NO.	DESCRIPTION	PART NO.	QTY.
1	Cylinder head	3101094	3	22	Bolt set	3B07-SM16*40-A	1
2	Allen bolt set	3B01-M12*055V	12	23	Rear bearing seat	3311037	1
3	Allen bolt set	3B01-M08*055Z	3	24	Breathing cover	2321008	1
4	Cylinder head gasket	2G01-012C	3	25	Hexagon bolt	2B00-SM10*025	12
5	Inlet&Exhaust valve assembly	3B13-AP100	3	26	Front bearing seat	3309042P	1
6	Valve seat gasket	2G03-006C	3	27	Front bearing seat gasket	2G05-009	1
7	Double head screw set	3B11-004-A	12	28	Thrust block set	3312008-A	1
8	Cylinder	3201016G	3	29	Oil seal	2N50-TC50*70*12	1
9	Cylinder gasket	2G04-010	3	30	Pulley	3PBF-115B350	1
10	Piston ring set	3B32-100N	3	31	Fly wheel	3PBF-516*228	1
11	Piston set	3B31-100L	3	32	Hexagon bolt set	3B00-SM08*035AV	6
12	Rod set	3B33-P7567X	2	33	Pulley washer	2B34-13*75*13	1
13	Crank rod bush(2 pieces)	2316002-BX	3	34	Hexagon bolt set	3B00-SM12*050V	1
14	Crankcase	3301129	1	35	Exhaust elbow	2N06-10T10H	1
15	Oil draining plug	2N33-002	1	36	Exhaust three way pipe	2N09-10H10T10H3	1
16	Oil sight gauge set	2303016A	1	37	Exhaust tube set	3B2-10*250	1
17	Oil filling plug set	2319004A	1	38	Air filter	2140011	3
18	Bearing	2N35-32210	2	39	Filter element	2142009	3
19	Crankshaft & balancer	3304027	1	40	Exhaust tube set	3B2-10*265	1
20	Pulley key	2N47-10*8*40	1	41	Rod set	3B33-P7568X	1
21	Rear bearing seat gasket	2G06-003	1	42	Exhaust three way pipe	2N09-10H10T10H4	1

SPARE PARTS LIST

NO : EFX-2111

REF. NO.	DESCRIPTION	PART NO.	QTY.	REF. NO.	DESCRIPTION	PART NO.	QTY.
1	Air tank	3401A061	1	18	Motor feet bolt set	3B08-FM12*42-M	4
2	Ball valve	2413058	1	19	Motor pulley	3PMF-055B3M3810	1
3	Tank wheel	2402004	4	20	Hexagon bolt	2B01-M08*025	2
4	Plate washer	2B30-23*46*12	4	21	V-belt	2N31-B73	3
5	Cotter pin	2N40-W015*14	4	22	Set bracket	3427010	1
6	Check valve	2414032	1	23	Set bracket	3427030	1
7	Unloading elbow	2N06-01T02H	1	24	Hexagon bolt set	3B00-FM08*015W	10
8	Unloading tube set	3B2-02*980F	1	25	Belt guard	3426019	1
9	Exhaust tube set	3B2-10*750	1	26	Bracket	3427021B	1
10	Exhaust manifold	3415012	1	27	Hexagon bolt set	3B00-FM06*015VW	1
11	Nipple	2N01-002	1	28	Magnetic switch seat	3417002	1
12	Pressure switch	2E21-031P	1	29	Ball valve	2413008X	1
13	Pressure relief valve	2406054X	1	30	Hexagon bolt set	3B00-FM12*040V	4
14	Pressure gauge	2D12-25V20K	1	31	Cable	2E02-1521802Y2Y	1
15	Ball valve	2413001X	2	32	Cable	2E02-4030403Y3Q	1
16	Motor base	3421005	2	33	Magnetic switch	2E22-10*5641X	1
17	Motor feet bolt set	3B08-FM12*28-M	4				

MODEL : PK150-300A (Pump)

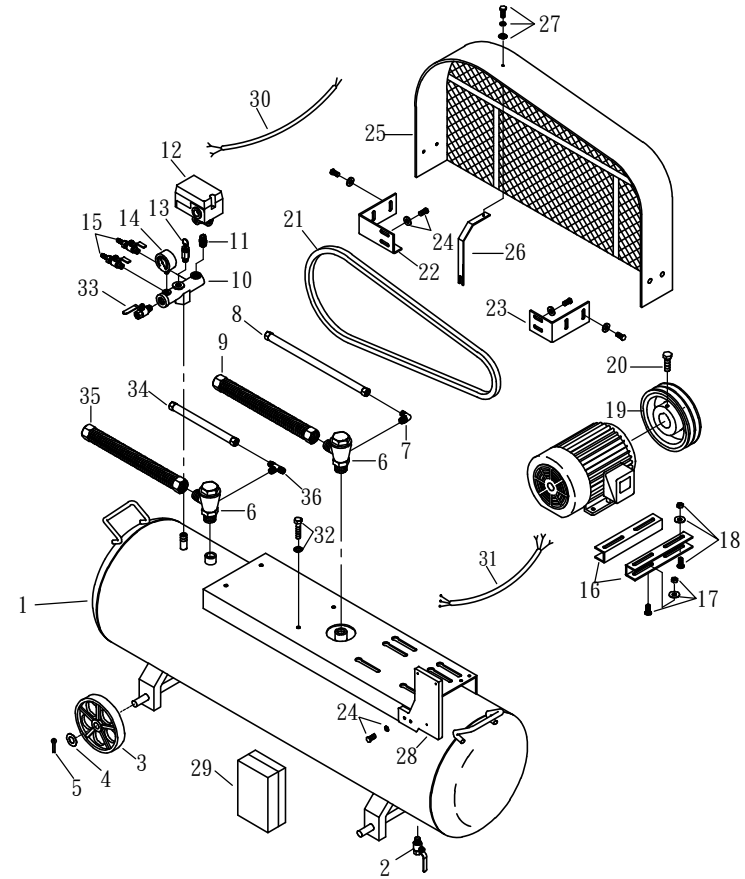


SPARE PARTS LIST

NO : EFX-2008

REF. NO.	DESCRIPTION	PART NO.	QTY.	REF. NO.	DESCRIPTION	PART NO.	QTY.
1	Cylinder head	3101094	4	23	Bolt set	3B07-SM16*40-A	1
2	Allen bolt set	3B01-M12*055V	16	24	Hexagon bolt	2B00-SM10*025	12
3	Allen bolt set	3B01-M08*055Z	4	25	Breathing cover	2321008	1
4	Air filter set	2140011	4	26	Oil sight gauge set	2303016A	1
5	Filter element	2142009	4	27	Oil filling plug set	2319004A	1
6	Cylinder head gasket	2G01-012C	4	28	Bearing	2N35-32209	1
7	In. & Ex. valve assembly	3B13-AP100	4	29	Crankshaft & balancer	3304099	1
8	Valve seat gasket	2G03-006C	4	30	Balancer set	3304058-A	1
9	Double head screw set	3B11-003-A	16	31	Pulley key	2N47-10*8*40	1
10	Cylinder	3201110	4	32	Bearing	2N35-32210	1
11	Cylinder gasket	2G04-023	4	33	Rear bearing seat gasket	2G06-015	1
12	Piston ring set	3B32-CK7595	4	34	Rear bearing seat	3311024	1
13	Piston set	3B31-CK7595	4	35	Oil seal	2N50-TC50*72*12	1
14	Rod set	3B33-CKA581	2	36	Pulley	3PBF-115B350	1
15	Rod bush(2 pieces)	2316008-B	8	37	Fly wheel	3PBF-516*228	1
16	Rod set	3B33-CKA565	2	38	Hexagon bolt set	3B00-SM08*035AV	6
17	Crankcase	3301120	1	39	Plate washer	2B34-13*75*13	1
18	Oil draining plug	2N33-003	1	40	Hexagon bolt set	3B00-SM12*050V	1
19	Thrust block	3312007	1	41	Exhaust 3-way pipe	2N09-10H10T10H3	2
20	Pin	2N41-003	1	42	Exhaust elbow	2N06-10T10H	2
21	Front bearing seat gasket	2G05-009	1	43	Exhaust tube	3B2-10*210	2
22	Front bearing seat	3309032	1				

MODEL : PK150-300A (Receive Tank)



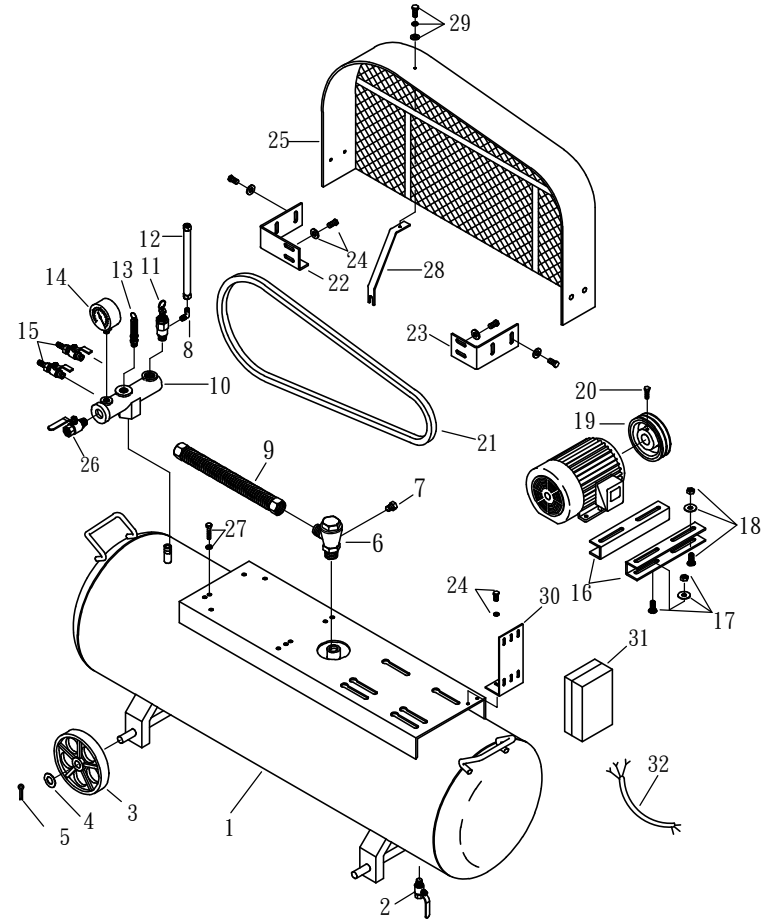
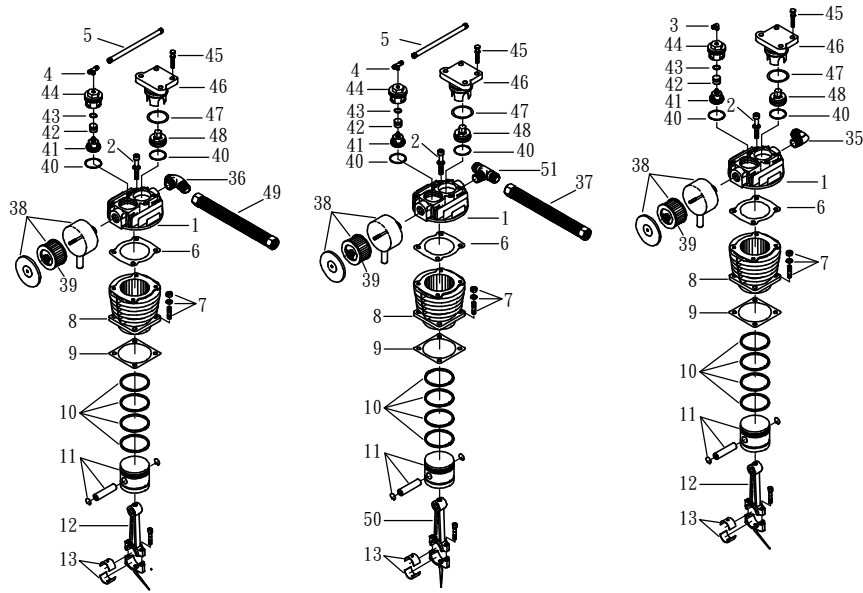
SPARE PARTS LIST

NO : EFX-2008

REF. NO.	DESCRIPTION	PART NO.	QTY.	REF. NO.	DESCRIPTION	PART NO.	QTY.
1	Air tank	3401A111	1	19	Motor pulley	3PMF-060B3M4212	1
2	Ball valve	2413058	1	20	Hexagon bolt	2B00-SM08*020	2
3	Tank wheel	2402009	4	21	V-belt	2N31-B73	3
4	Plate washer	2B30-23*46*12	4	22	Set bracket	3427010	1
5	Cotter pin	2N40-W015*14	4	23	Set bracket	3427030	1
6	Check valve	2414032	2	24	Hexagon bolt set	3B00-FM08*015W	10
7	Unloading elbow	2N06-01T02H	1	25	Belt guard	3426019	1
8	Unloading tube set	3B2-02*720N	1	26	Bracket	3427115	1
9	Exhaust tube set	3B2-10*700	1	27	Hexagon bolt set	3B00-FM06*015VW	1
10	Regulator with manifold	3415012	1	28	Magnetic switch seat	3417018	1
11	Nipple	2N01-002	1	29	Magnetic switch	2E22-15*5641X	1
12	Pressure switch	2E21-031P	1	30	Cable	2E02-1522202Y2Y	1
13	Pressure relief valve	2406054X	1	31	Cable	2E02-6030653Y3Q	1
14	Pressure gauge	2D12-25V20K	1	32	Allen bolt set	3B01-M12*045V	4
15	Ball valve	2413001X	2	33	Ball valve	2413008X	1
16	Motor base	3421005	2	34	Unloading tube	3B2-02*475F	1
17	Motor feet bolt set	3B08-FM12*28-M	4	35	Exhaust tube	3B2-10*630	1
18	Motor feet bolt set	3B08-FM12*42-M	4	36	Unloading 3-way pipe	2N09-02H01T02H4	1

MODEL : PUK100300 (Pump)

MODEL : PUK100300 (Receiver Tank)



SPARE PARTS LIST

NO : EFX-2111

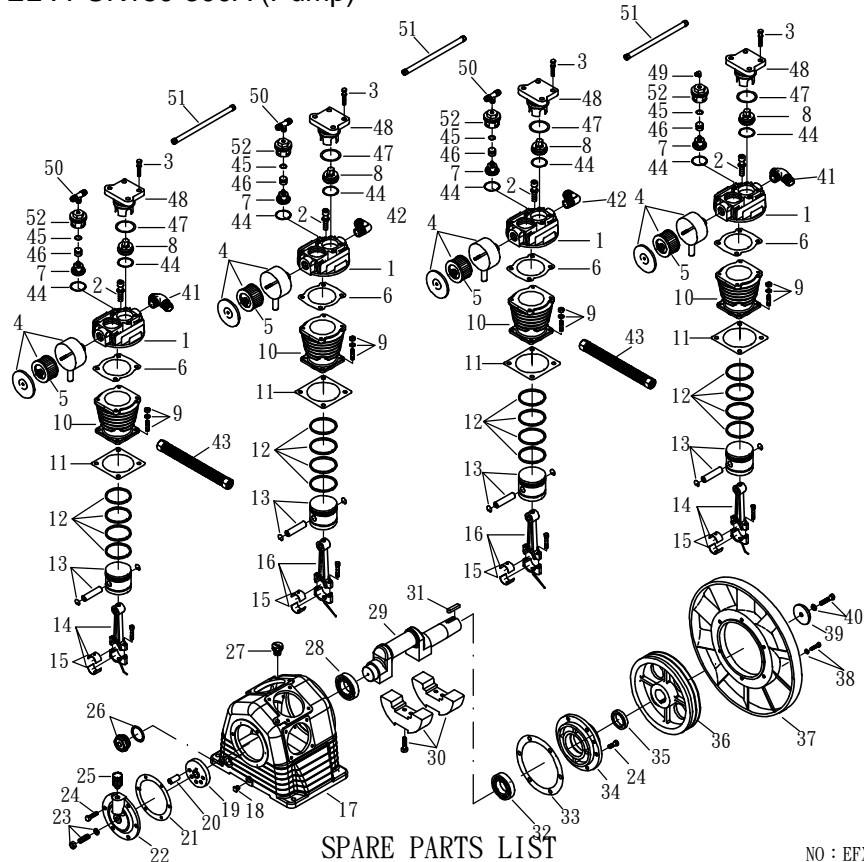
REF. NO.	DESCRIPTION	PART NO.	QTY.	REF. NO.	DESCRIPTION	PART NO.	QTY.
1	Cylinder head	3101049	3	27	Front bearing seat gasket	2G05-009	1
2	Allen bolt set	3B01-M12*065V	12	28	Thrust block set	3312008-A	1
3	Unloading elbow	2N06-01T02H	1	29	Oil seal	2N50-TC50*72*12	1
4	Unloading 3-way pipe	2N09-02H01T02H4	2	30	Pulley	3PBF-115B350	1
5	Unloading tube set	3B2-02*500N	2	31	Fly wheel	3PBF-516*228	1
6	Cylinder head gasket	2G01-008C	3	32	Hexagon bolt set	3B00-SM08*035AV	6
7	Double head screw set	3B11-004-A	12	33	Plate washer	2B34-13*75*13	1
8	Cylinder	3201016G	3	34	Hexagon bolt set	3B00-SM12*050V	1
9	Cylinder gasket	2G04-010	3	35	Exhaust elbow	2N06-10T10H	1
10	Piston ring set	3B32-100N	3	36	Exhaust 3-way pipe	2N09-10H10T10H3	1
11	Piston set	3B31-100L	3	37	Exhaust tube set	3B2-10*245	1
12	Rod set	3B33-P7567X	2	38	Air filter	2140011	3
13	Rod bush	2316002-BX	3	39	Filter element	2142009	3
14	Crankcase	3301129	1	40	Inlet&Exhaust washer	2B31-002	6
15	Oil draining plug	2N33-002	1	41	Inlet valve assembly	3B12-PU75	3
16	Oil sight gauge set	2303016A	1	42	Unloading piston	2113010	12
17	Oil filling plug set	2319004A	1	43	O-ring	2N52-P21V	3
18	Bearing	2N35-32210	2	44	Inlet valve holder	3110010	3
19	Crankshaft & balancer	3304027	1	45	Hexagon bolt set	3B00-SM08*030V	12
20	Pulley key	2N47-10*8*40	1	46	Exhaust press plate	3126005	3
21	Rear bearing seat gasket	2G06-003	1	47	O-ring	2N52-G55V	3
22	Bolt set	3B07-SM16*40-A	1	48	Exhaust valve assembly	3B11-HL75	2
23	Rear bearing seat	3311037	1	49	Exhaust tube set	3B2-10*250	1
24	Breathing cover	2321008	1	50	Rod set	3B33-P7568X	1
25	Hexagon bolt	2B00-SM10*025	12	51	Exhaust 3-way pipe	2N09-10H10T10H4	1
26	Front bearing seat	3309042P	1				

SPARE PARTS LIST

NO : EFX-2111

REF. NO.	DESCRIPTION	PART NO.	QTY.	REF. NO.	DESCRIPTION	PART NO.	QTY.
1	Air tank	3401A061	1	17	Motor feet bolt set	3B08-FM12*28-M	4
2	Ball valve	2413058	1	18	Motor feet bolt set	3B08-FM12*42-M	4
3	Tank wheel	2402004	4	19	Motor pulley	3PMF-055B3M3810	1
4	Plate washer	2B30-23*46*12	4	20	Hexagon bolt	2B00-SM08*020	2
5	Cotter pin	2N40-W015*14	4	21	V-belt	2N31-B73	3
6	Check valve	2414032	1	22	Set bracket	3427010	1
7	Plug	2N33-001	1	23	Set bracket	3427030	1
8	Unloading elbow	2N06-01T02H	1	24	Hexagon head bolt	3B00-FM08*015W	12
9	Exhaust tube set	3B2-10*750	1	25	Belt guard	3426019	1
10	Exhaust manifold	3415012	1	26	Ball valve	2413008X	1
11	Unloading valve	2407001	1	27	Hexagon bolt set	3B00-FM12*040V	4
12	Unloading tube set	3B2-02*260N	1	28	Bracket	3427021B	1
13	Pressure relief valve	2406054X	1	29	Hexagon bolt set	3B00-FM06*015WV	1
14	Pressure gauge	2D12-25V20K	1	30	Magnetic switch seat	3417002	1
15	Ball valve	2413001X	2	31	Magnetic switch	2E22-10*5641X	1
16	Motor base	3421005	2	32	Cable	2E02-4030403Y3Q	1

MODEL : PUK150-300A (Pump)

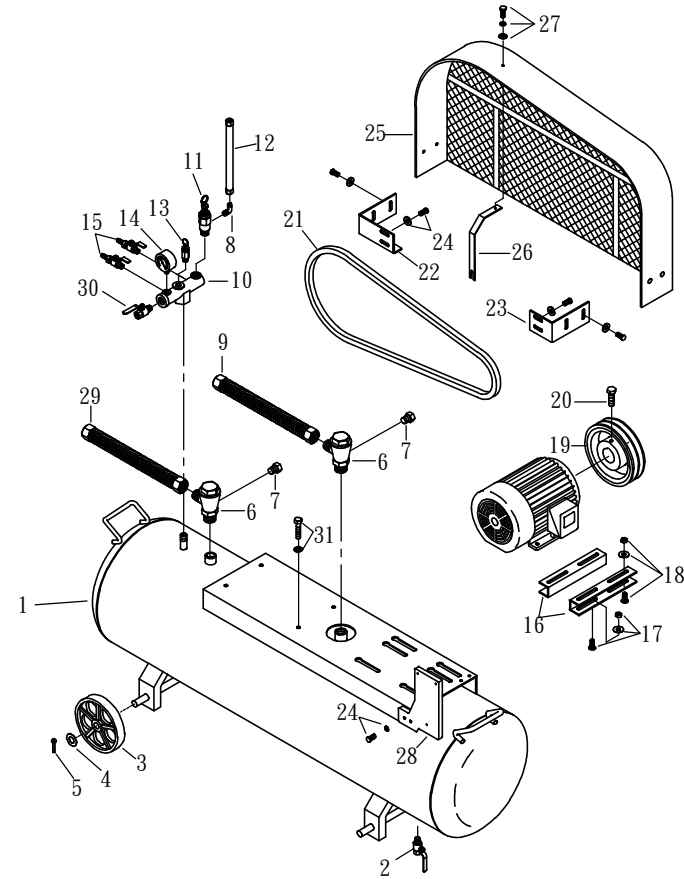


SPARE PARTS LIST

NO : EFX-2008

REF. NO.	DESCRIPTION	PART NO.	QTY.	REF. NO.	DESCRIPTION	PART NO.	QTY.
1	Cylinder head	3101049	4	27	Oil filling plug set	2319004A	1
2	Allen bolt set	3B01-M12*065V	16	28	Bearing	2N35-32209	1
3	Hexagon bolt set	3B00-SM08*030V	16	29	Crankshaft & balancer	3304099	1
4	Air filter set	2140011	4	30	Balancer set	3304058-A	1
5	Filter element	2142009	4	31	Pulley key	2N47-10*8*40	1
6	Cylinder head gasket	2G01-008C	4	32	Bearing	2N35-32210	1
7	Inlet valve assembly	3B12-PU75	4	33	Rear bearing seat gasket	2G06-015	1
8	Exhaust valve assembly	3B11-HL75	4	34	Rear bearing seat	3311024	1
9	Double head screw set	3B11-003-A	16	35	Oil seal	2N50-TC50*72*12	1
10	Cylinder	3201110	4	36	Pulley	3PBF-115B350	1
11	Cylinder gasket	2G04-023	4	37	Fly wheel	3PBF-516*228	1
12	Piston ring set	3B32-CK7595	4	38	Hexagon bolt set	3B00-SM08*035AV	6
13	Piston set	3B31-CK7595	4	39	Plate washer	2B34-13*75*13	1
14	Rod set	3B33-CKA581	2	40	Hexagon bolt set	3B00-SM12*050V	1
15	Rod bush(2 pieces)	2316008-B	8	41	Exhaust 3-way pipe	2N09-10H10T10H3	2
16	Rod set	3B33-CKA565	2	42	Exhaust elbow	2N06-10T10H	2
17	Crankcase	3301120	1	43	Exhaust tube	3B2-10*210	2
18	Oil draining plug	2N33-003	1	44	Inlet&Exhaust washer	2B31-002	8
19	Thrust block	3312007	1	45	O-ring	2N52-P21V	4
20	Pin	2N41-003	1	46	Unloading piston	2113010	4
21	Front bearing seat gasket	2G05-009	1	47	O-ring	2N52-G55V	4
22	Front bearing seat	3309032	1	48	Exhaust press plate	3126005	4
23	Bolt set	3B07-SM16*40-A	1	49	Unloading elbow	2N06-01T02H	1
24	Hexagon bolt	2B00-SM10*025	12	50	Unloading 3-way pipe	2N09-02H01T02H4	3
25	Breathing cover	2321008	1	51	Unloading tube set	3B2-02*395N	3
26	Oil sight gauge set	2303016A	1	52	Inlet valve holder	3110010	4

MODEL : PUK150-300A (Receive Tank)

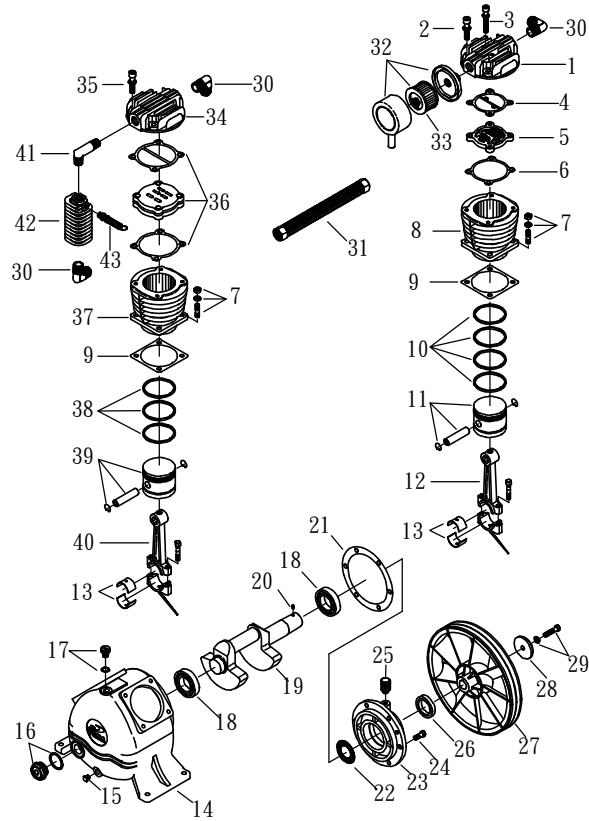


SPARE PARTS LIST

NO : EFX-2008

REF. NO.	DESCRIPTION	PART NO.	QTY.	REF. NO.	DESCRIPTION	PART NO.	QTY.
1	Air tank	3401A111	1	17	Motor feet bolt set	3B08-FM12*28-M	4
2	Ball valve	2413058	1	18	Motor feet bolt set	3B08-FM12*42-M	4
3	Tank wheel	2402009	4	19	Motor pulley	3PMF-060B3M4212	1
4	Plate washer	2B30-23*46*12	4	20	Hexagon bolt	2B00-SM08*020	2
5	Cotter pin	2N40-W015*14	4	21	V-belt	2N31-B73	3
6	Check valve	2414032	2	22	Set bracket	3427010	1
7	Plug	2N33-001	2	23	Set bracket	3427030	1
8	Unloading elbow	2N06-01T02H	1	24	Hexagon bolt set	3B00-FM08*015W	10
9	Exhaust tube set	3B2-10*700	1	25	Belt guard	3426019	1
10	Regulator with manifold	3415012	1	26	Bracket	3427115	1
11	Unloading valve	2407001	1	27	Hexagon bolt set	3B00-FM06*015VW	1
12	Unloading tube set	3B2-02*170N	1	28	Magnetic switch seat	3417018	1
13	Pressure relief valve	2406054X	1	29	Exhaust tube	3B2-10*630	1
14	Pressure gauge	2D12-25V20K	1	30	Ball valve	2413008X	1
15	Ball valve	2413001X	2	31	Allen bolt set	3B01-M12*045V	4
16	Motor base	3421005	2				

MODEL : TK30-160 (Pump)

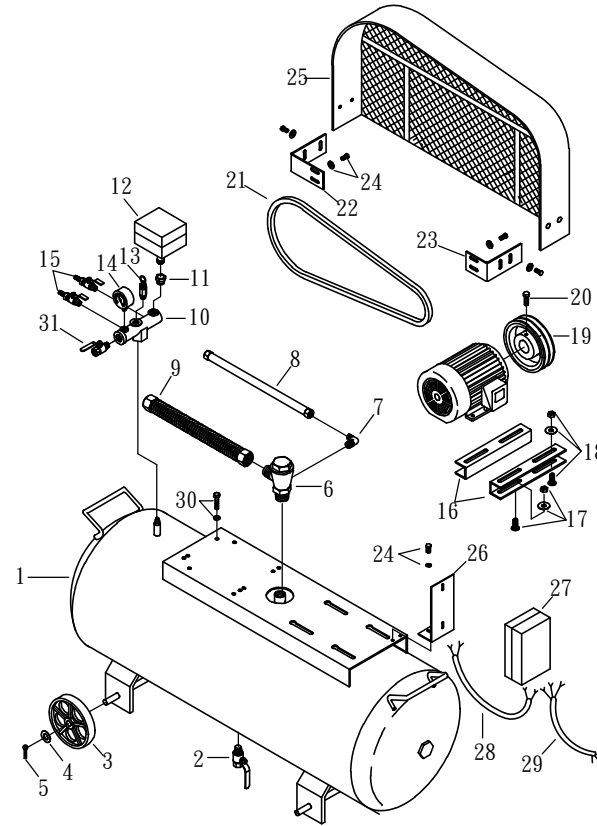


SPARE PARTS LIST

NO : EFX-2008

REF. NO.	DESCRIPTION	PART NO.	QTY.	REF. NO.	DESCRIPTION	PART NO.	QTY.
1	Cylinder head	3101092	1	23	Rear bearing seat	3311002	1
2	Allen bolt set	3B01-M10*050V	4	24	Hexagon bolt	2B00-SM10*025	6
3	Allen bolt set	3B01-M06*055Z	2	25	Breathing cover	2321008	1
4	Cylinder head gasket	2G01-011C	1	26	Oil seal	2N50-TC30*50*11	1
5	In. & Ex. valve assembly	3B13-AP80	1	27	Pulley	3PBF-145A230M	1
6	Valve seat gasket	2G03-005C	1	28	Pulley washer	2B34-13*52*14	1
7	Double head screw set	3B11-003-A	8	29	Hexagon bolt set	3B00-SM12*050V	1
8	Cylinder	3201015G	1	30	Exhaust elbow	2N06-06T06H	3
9	Cylinder gasket	2G04-009	2	31	Exhaust tube set	3B2-06*610	1
10	Piston ring set	3B32-80N	1	32	Air filter set	2140009	1
11	Piston set	3B31-80L	1	33	Filter element	2142002	1
12	Rod set	3B33-P2338X	1	34	Cylinder head	3201043	1
13	Crank rod bush(2 pieces)	2316001-BX	2	35	Allen bolt set	3B01-M06*040V	4
14	Crankcase	3301126B	1	36	In. & Ex. valve assembly	3B13-K5065C	1
15	Oil draining plug	2N33-002	1	37	Cylinder	3201029	1
16	Oil sight gauge set	2303016A	1	38	Piston ring set	3B32-65N	1
17	Oil filling plug set	2319004A	1	39	Piston set	3B31-T65	1
18	Bearing	2N35-6206X	2	40	Rod set	3B33-TK3042X	1
19	Crankshaft & balancer	3304024	1	41	Exhaust elbow	2N06-06T06T85	1
20	Pulley key	2N47-63*09	1	42	Spare tank	3125001	1
21	Rear bearing seat gasket	2G06-002	1	43	Pressure relief valve	2406020	1
22	Oil mesh	2352001	1				

MODEL : TK30-160 (Receive Tank)

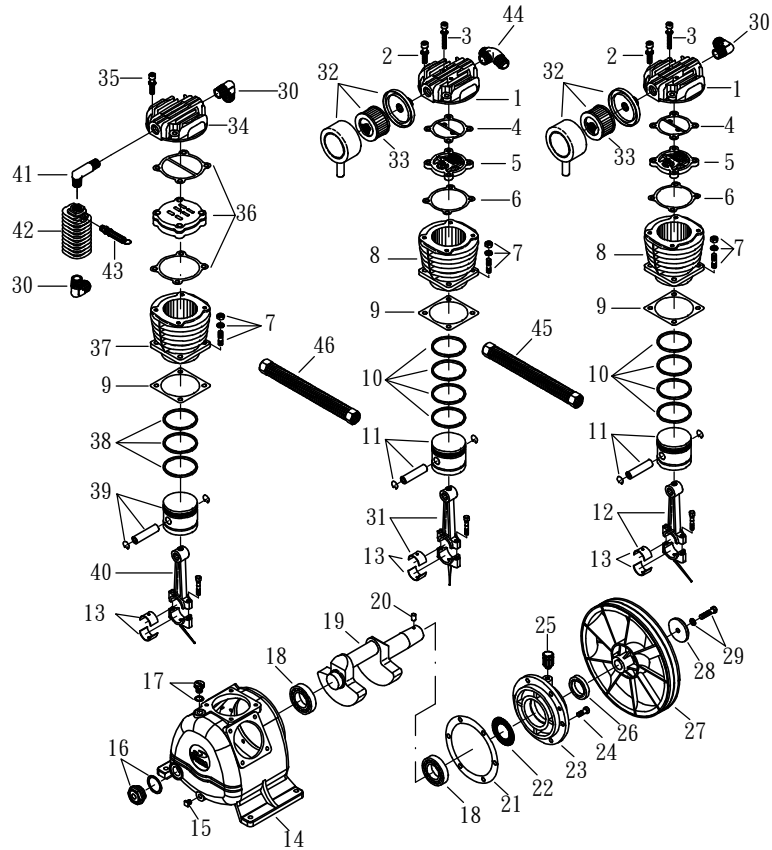


SPARE PARTS LIST

NO : EFX-2008

REF. NO.	DESCRIPTION	PART NO.	QTY.	REF. NO.	DESCRIPTION	PART NO.	QTY.
1	Air tank	3401A059	1	17	Motor feet bolt set	3B08-FM10*25-M	4
2	Ball valve	2413058	1	18	Motor feet bolt set	3B08-FM10*38-M	4
3	Tank wheel	2402003	4	19	Motor pulley	3PMF-075A2M2808	1
4	Plate washer	2B30-23*46*12	4	20	Hexagon bolt	2B00-SM08*020	2
5	Cotter pin	2N40-W015*14	4	21	V-belt	2N31-A70	2
6	Check valve	2414031	1	22	Set bracket	3427009	1
7	Unloading elbow	2N06-01T02H	1	23	Set bracket	3427029	1
8	Unloading tube set	3B2-02*880F	1	24	Hexagon bolt set	3B00-FM08*015W	10
9	Exhaust tube set	3B2-06*610	1	25	Belt guard	3426018	1
10	Exhaust manifold	3415011	1	26	Magnetic switch seat	3417001	1
11	Bushing	2N02-001	1	27	Magnetic switch	2E22-03*5641X	1
12	Pressure switch	2E21-008X	1	28	Cable	2E02-1521552Y2Y	1
13	Pressure relief valve	2406053BX	1	29	Cable	2E02-2530383Y3Q	1
14	Pressure gauge	2D12-25V20K	1	30	Hexagon bolt set	3B00-FM10*035V	4
15	Ball valve	2413001X	2	31	Ball valve	2413007X	1
16	Motor base	3421004	2				

MODEL : TK50-250 (Pump)

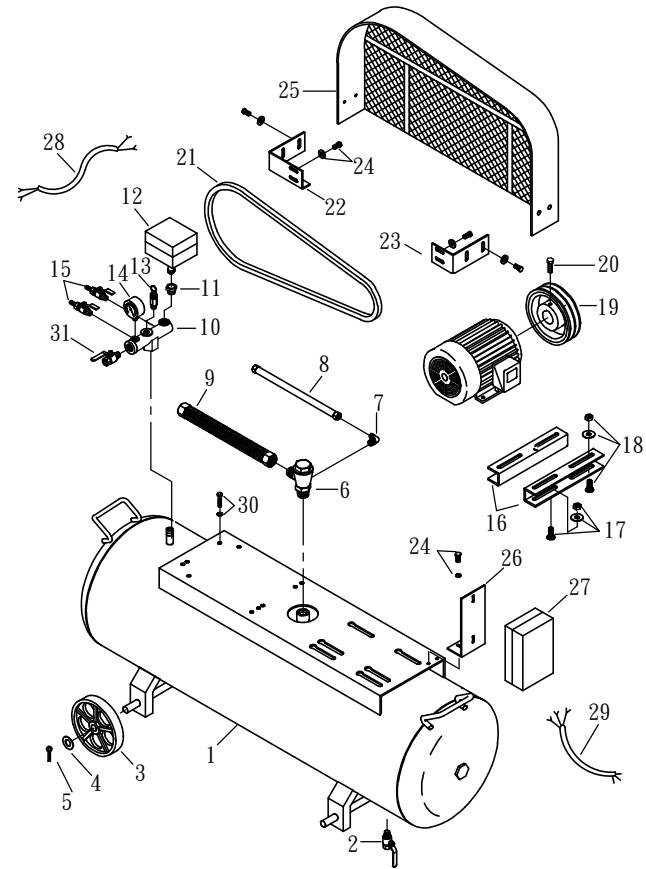


SPARE PARTS LIST

NO : EFX-2008

REF. NO.	DESCRIPTION	PART NO.	QTY.	REF. NO.	DESCRIPTION	PART NO.	QTY.
1	Cylinder head	3101092	2	24	Hexagon bolt	2B00-SM10*025	6
2	Allen bolt set	3B01-M10*050V	8	25	Breathing cover	2321008	1
3	Allen bolt set	3B01-M06*055Z	4	26	Oil seal	2N50-TC30*50*11	1
4	Cylinder head gasket	2G01-011C	2	27	Pulley	3PBF-145A230M	1
5	Inlet&Exhaust valve assembly	3B13-AP80	2	28	Pulley washer	2B34-13*52*14	1
6	Valve seat gasket	2G03-005C	2	29	Hexagon bolt set	3B00-SM12*050V	1
7	Double head screw set	3B11-003-A	12	30	Exhaust elbow	2N06-06T06H	3
8	Cylinder	3201015G	2	31	Rod set	3B33-P2337X	1
9	Cylinder gasket	2G04-009	3	32	Air filter	2140009	2
10	Piston ring set	3B32-80N	2	33	Filter element	2142002	2
11	Piston set	3B31-80L	2	34	Cylinder head	3101043	1
12	Rod set	3B33-P2346X	1	35	Allen bolt set	3B01-M06*040V	4
13	Crank rod bush(2 pieces)	2316001-BX	3	36	In. & Ex. valve assembly	3B13-K5065C	1
14	Crankcase	3301127B	1	37	Cylinder	3201029	1
15	Oil draining plug	2N33-002	1	38	Piston ring set	3B32-65N	1
16	Oil sight gauge set	2303016A	1	39	Piston set	3B31-T65	1
17	Oil filling plug set	2319004A	1	40	Rod set	3B33-TK5048X	1
18	Bearing	2N35-6306X	2	41	Exhaust elbow	2N06-06T06T85	1
19	Crankshaft & balancer	3304025	1	42	Spart tank	3125001	1
20	Pulley key	2N47-63*09	1	43	Pressure relief valve	2406020	1
21	Rear bearing seat gasket	2G06-002	1	44	Exhaust three way pipe	2N09-06H06T06H2	1
22	Oil mesh	2352002	1	45	Exhaust tube set	3B2-06*235	1
23	Rear bearing seat	3311003	1	46	Exhaust tube set	3B2-06*490	1

MODEL : TK50-250 (Receive Tank)

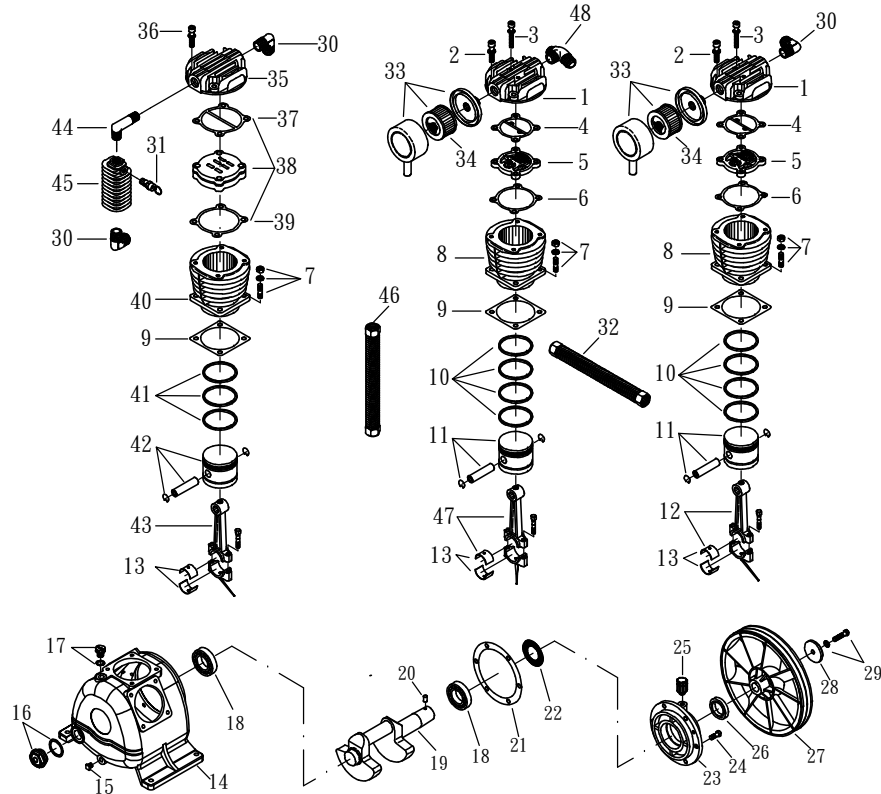


SPARE PARTS LIST

NO : EFX-2008

REF. NO.	DESCRIPTION	PART NO.	QTY.	REF. NO.	DESCRIPTION	PART NO.	QTY.
1	Air tank	3401A060	1	17	Motor feet bolt set	3B08-FM10*25-M	4
2	Ball valve	2413058	1	18	Motor feet bolt set	3B08-FM10*38-M	4
3	Tank wheel	2402004	4	19	Motor pulley	3PMF-070A2M2808	1
4	Plate washer	2B30-23*46*12	4	20	Hexagon bolt	2B00-SM08*020	2
5	Cotter pin	2N40-W015*14	4	21	V-belt	2N31-A70	2
6	Check valve	2414031	1	22	Set bracket	3427009	1
7	Unloading elbow	2N06-01T02H	1	23	Set bracket	3427029	1
8	Unloading tube set	3B2-02*830F	1	24	Hexagon bolt set	3B00-FM08*015W	10
9	Exhaust tube set	3B2-06*610	1	25	Belt guard	3426018	1
10	Exhaust manifold	3415011A	1	26	Magnetic switch seat	3417001	1
11	Bushing	2N02-001	1	27	Magnetic switch	2E22-05*5641X	1
12	Pressure switch	2E21-008X	1	28	Cable	2E02-1521552Y2Y	1
13	Pressure relief valve	2406053BX	1	29	Cable	2E02-2530383Y3Q	1
14	Pressure gauge	2D12-25V20K	1	30	Hexagon bolt set	3B00-FM10*035V	4
15	Ball valve	2413001X	2	31	Ball valve	2413007X	1
16	Motor base	3421004	2				

MODEL : TK50-250V (Pump)

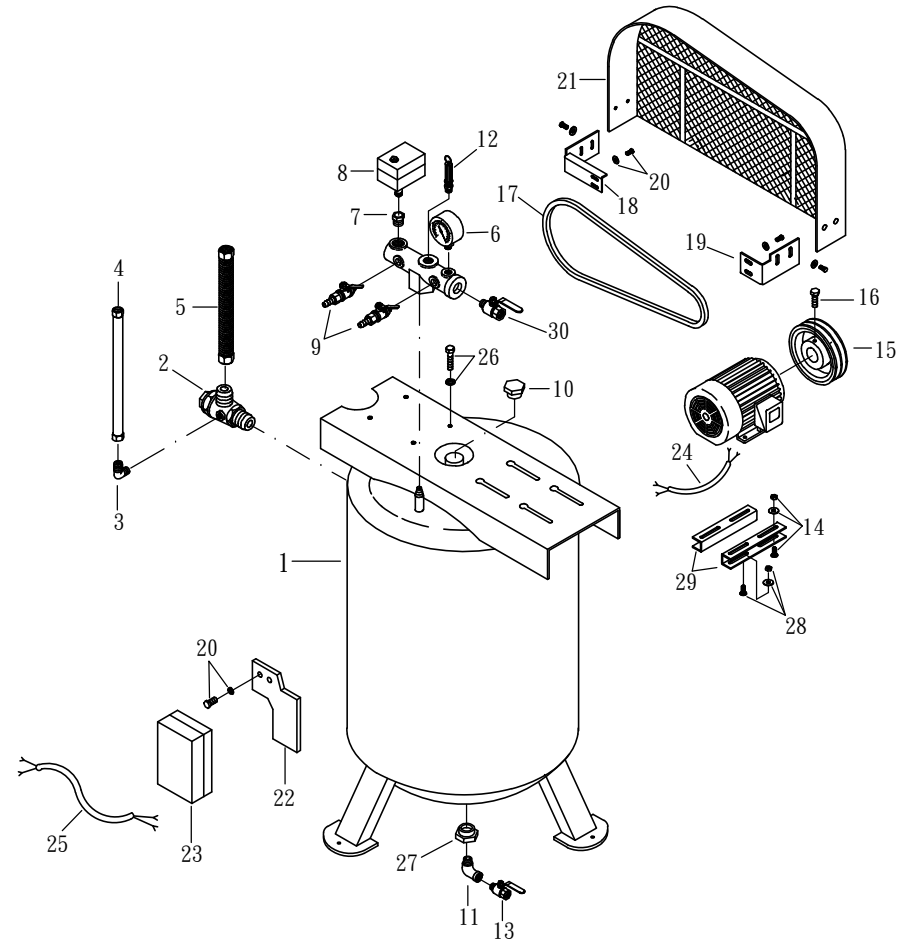


SPARE PARTS LIST

NO : EFX-2008

REF. NO.	DESCRIPTION	PART NO.	QTY.	REF. NO.	DESCRIPTION	PART NO.	QTY.
1	Cylinder head	3101092	2	25	Breathing cover	2321008	1
2	Allen bolt set	3B01-M10*050V	8	26	Oil seal	2N50-TC30*50*11	1
3	Allen bolt set	3B01-M06*055Z	4	27	Pulley	3PBF-145A230M	1
4	Cylinder head gasket	2G01-011C	2	28	Pulley washer	2B34-13*52*14	1
5	Inlet&Exhaust valve assembly	3B13-AP80	2	29	Hexagon bolt set	3B00-SM12*050V	1
6	Valve seat gasket	2G03-005C	2	30	Exhaust elbow	2N06-06T06H	3
7	Double head screw set	3B11-003-A	12	31	Pressure relief valve	2406020	1
8	Cylinder	3201015G	2	32	Exhaust tube set	3B2-06*490	1
9	Cylinder gasket	2G04-009	3	33	Air filter	2140009	2
10	Piston ring set	3B32-80N	2	34	Filter element	2142002	2
11	Piston set	3B31-80L	2	35	Cylinder head	3101043	1
12	Rod set	3B33-P2346X	1	36	Allen bolt set	3B01-M06*040V	4
13	Crank rod bush(2 pieces)	2316001-BX	3	37	Cylinder head gasket	2G01-015C	1
14	Crankcase	3301127B	1	38	In. & Ex. valve assembly	3B13-K5065C	1
15	Oil draining plug	2N33-002	1	39	Valve seat gasket	2G03-010H	1
16	Oil sight gauge set	2303016A	1	40	Cylinder	3201029	1
17	Oil filling plug set	2319004A	1	41	Piston ring set	3B32-65N	1
18	Bearing	2N35-6306X	2	42	Piston set	3B31-T65	1
19	Crankshaft & balancer	3304025	1	43	Rod set	3B33-TK5048X	1
20	Pulley key	2N47-63*09	1	44	Exhaust elbow	2N06-06T06T85	1
21	Rear bearing seat gasket	2G06-002	1	45	Spare tank	3125001	1
22	Oil mesh	2352002	1	46	Rod set	3B33-P2337X	1
23	Rear bearing seat	3311003	1	47	Exhaust three way pipe	2N09-06H06T06H2	1
24	Hexagon bolt	2B00-SM10*025	6	48	Exhaust tube set	3B2-06*235	1

MODEL : TK50-250V (Receive Tank)

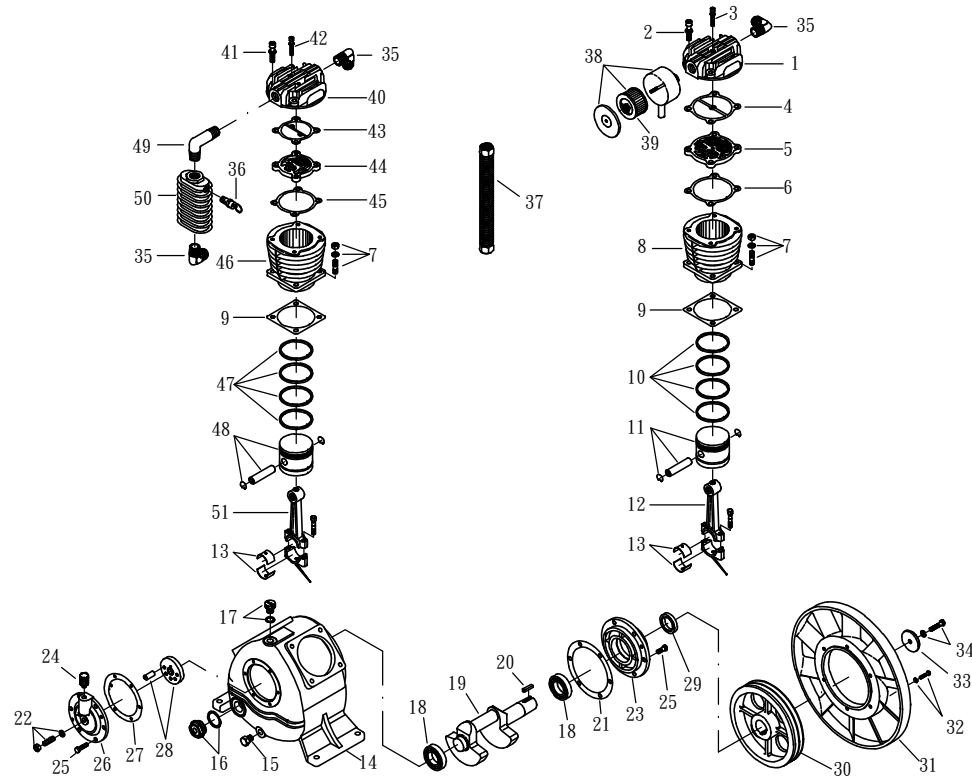


SPARE PARTS LIST

NO : EFX-2008

REF. NO.	DESCRIPTION	PART NO.	QTY.	REF. NO.	DESCRIPTION	PART NO.	QTY.
1	Air tank	3401A109A	1	16	Hexagon bolt	2B00-SM08*020	1
2	Check valve	2414031	1	17	V-belt	2N31-A68	2
3	Unloading elbow	2N06-01T02H	1	18	Set bracket	3427009	1
4	Unloading tube	3B2-02*860F	1	19	Set bracket	3427029	1
5	Exhaust tube	3B2-06*570	1	20	Hexagon bolt set	3B00-FM08*015W	10
6	Pressure gauge	2D12-25V20K	1	21	Belt guard	3426018	1
7	Bushing	2N02-001	1	22	Magnetic switch seat	3417016	1
8	Pressure switch	2E21-008X	1	23	Magnetic switch	2E22-05*5641X	1
9	Ball valve	2413001X	2	24	Cable	2E02-2530703Y3Q	1
10	Tank plug	3N34-FT60H	1	25	Cable	2E02-1521002Y2Y	1
11	Exhaust elbow	2N08-04T04TES	1	26	Hexagon bolt set	3B00-FM10*035V	4
12	Pressure relief valve	2406053BX	1	27	Tank plug	3N34-FT60HT4	1
13	Ball valve	2413058	1	28	Motor feet bolt set	3B08-FM10*25-M	4
14	Motor feet bolt set	3B08-FM10*38-M	4	29	Motor seat	3421004	2
15	Motor pulley	3PMF-080A2M2808	1	30	Ball valve	2413007X	1

MODEL : TK75-250V (Pump)

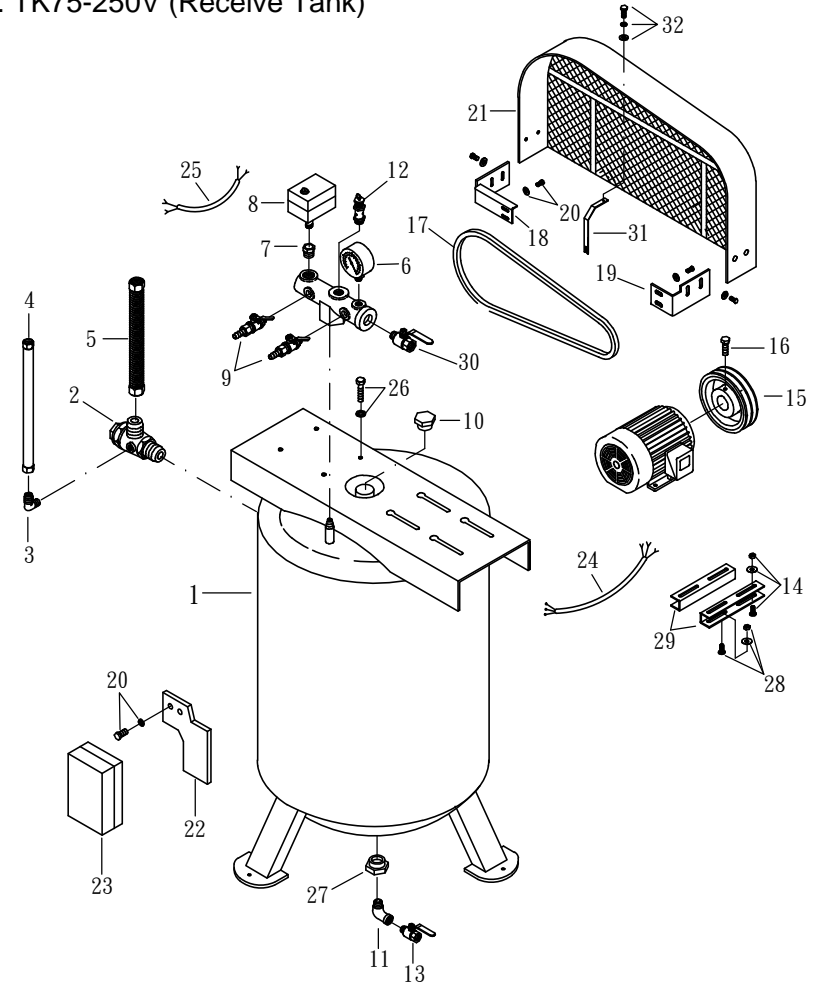


SPARE PARTS LIST

NO : EFX-2008

REF. NO.	DESCRIPTION	PART NO.	QTY.	REF. NO.	DESCRIPTION	PART NO.	QTY.
1	Cylinder head	3101094	1	27	Front bearing seat gasket	2G05-009	1
2	Allen bolt set	3B01-M12*055V	4	28	Trust ring	3312007-A	1
3	Allen bolt set	3B01-M08*055Z	1	29	Oil seal	2N50-TC43*68*12X	1
4	Cylinder head gasket	2G01-012C	1	30	Pulley	3PBF-115B243	1
5	In. & Ex. valve assembly	3B13-AP100	1	31	Fly wheel	3PBF-516*228	1
6	Valve seat gasket	2G03-006C	1	32	Hexagon bolt set	3B00-SM08*035AV	6
7	Double head screw set	3B11-004-A	8	33	Pulley washer	2B34-13*75*13	1
8	Cylinder	3201016G	1	34	Hexagon bolt set	3B00-SM12*050V	1
9	Cylinder gasket	2G04-010	2	35	Exhaust elbow	2N06-10T10H	3
10	Piston ring set	3B32-100N	1	36	Pressure relief valve	2406020	1
11	Piston set	3B31-100L	1	37	Exhaust tube set	3B2-10*700	1
12	Rod set	3B33-P7560X	1	38	Air filter	2140011	1
13	Rod bush(2 pieces)	2316002-BX	2	39	Filter element	2142009	1
14	Crankcase	3301128	1	40	Cylinder head	3101093	1
15	Oil draining plug	2N33-002	1	41	Hexagon bolt set	3B01-M10*050V	4
16	Oil sight gauge set	2303016A	1	42	Hexagon bolt set	3B01-M06*055Z	2
17	Oil filling plug set	2319004A	1	43	Cylinder head gasket	2G01-011C	1
18	Bearing	2N35-32209	2	44	In. & Ex. valve assembly	3B13-AP80	1
19	Crankshaft & balancer	3304026	1	45	Valve seat gasket	2G03-005C	1
20	Pulley key	2N47-10*8*40	1	46	Cylinder	3201013	1
21	Rear bearing seat gasket	2G06-003	1	47	Piston ring set	3B32-70N	1
22	Bolt set	3B07-SM16*40-A	1	48	Piston set	3B31-T70	1
23	Rear bearing seat	3311038	1	49	Exhaust elbow	2N06-10T10T92	1
24	Breathing cover	2321008	1	50	Spare tank	3125002	1
25	Hexagon bolt	2B00-SM10*025	12	51	Rod set	3B33-TK7564X	1
26	Front bearing seat gasket	3309032	1				

MODEL : TK75-250V (Receive Tank)

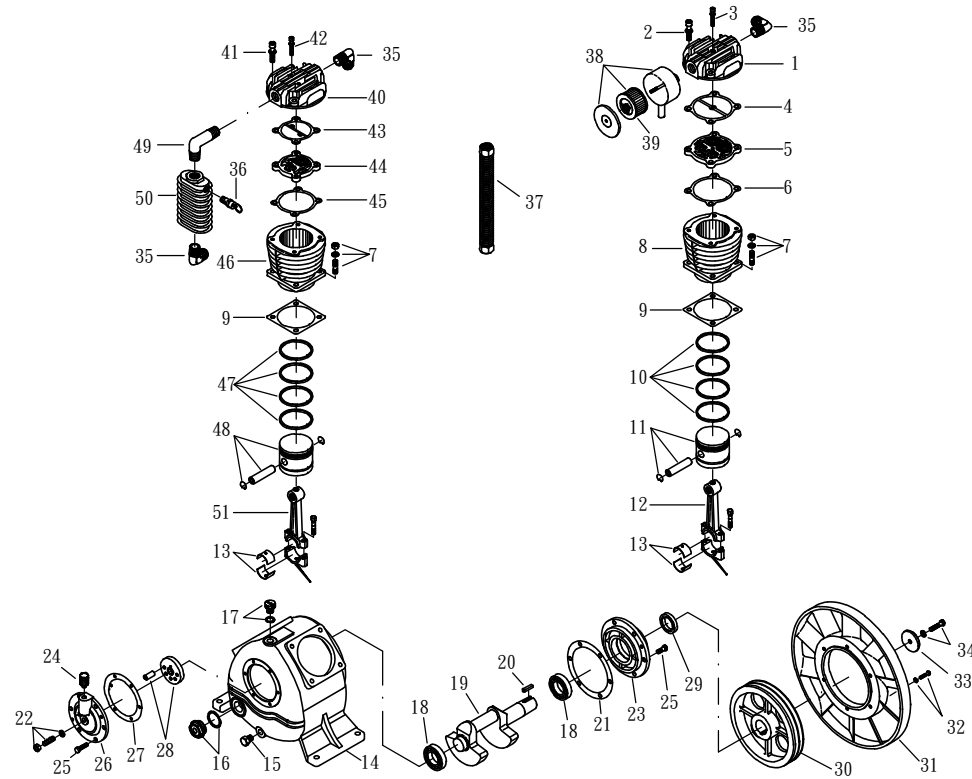


SPARE PARTS LIST

NO : EFX-2008

REF. NO.	DESCRIPTION	PART NO.	QTY.	REF. NO.	DESCRIPTION	PART NO.	QTY.
1	Air tank	3401A110A	1	17	V-belt	2N31-B70	2
2	Check valve	2414032	1	18	Set bracket	3427010	1
3	Unloading elbow	2N06-01T02H	1	19	Set bracket	3427030	1
4	Unloading tube	3B2-02*860F	1	20	Hexagon bolt set	3B00-FM08*015W	10
5	Exhaust tube	3B2-10*700	1	21	Belt guard	3426019	1
6	Pressure gauge	2D12-25V20K	1	22	Magnetic switch seat	3417016	1
7	Bushing	2N02-001	1	23	Magnetic switch	2E22-07*5641X	1
8	Pressure switch	2E21-008X	1	24	Cable	2E02-2530703Y3Q	1
9	Ball valve	2413001X	2	25	Cable	2E02-1521002Y2Y	1
10	Tank plug	3N34-FT60H	1	26	Hexagon bolt set	3B00-FM12*040V	4
11	Exhaust elbow	2N08-04T04TES	1	27	Tank plug	3N34-FT60HT4	1
12	Pressure relief valve	2406054BX	1	28	Motor feet bolt set	3B08-FM10*25-M	4
13	Ball valve	2413058	1	29	Motor seat	3421004B	2
14	Motor feet bolt set	3B08-FM10*38-M	4	30	Ball valve	2413008X	1
15	Motor pulley	3PMF-080B2M3810	1	31	Bracket	3427021B	1
16	Hexagon bolt	2B00-SM08*020	2	32	Hexagon bolt set	3B00-FM06*015VW	1

MODEL : TK75-300 (Pump)

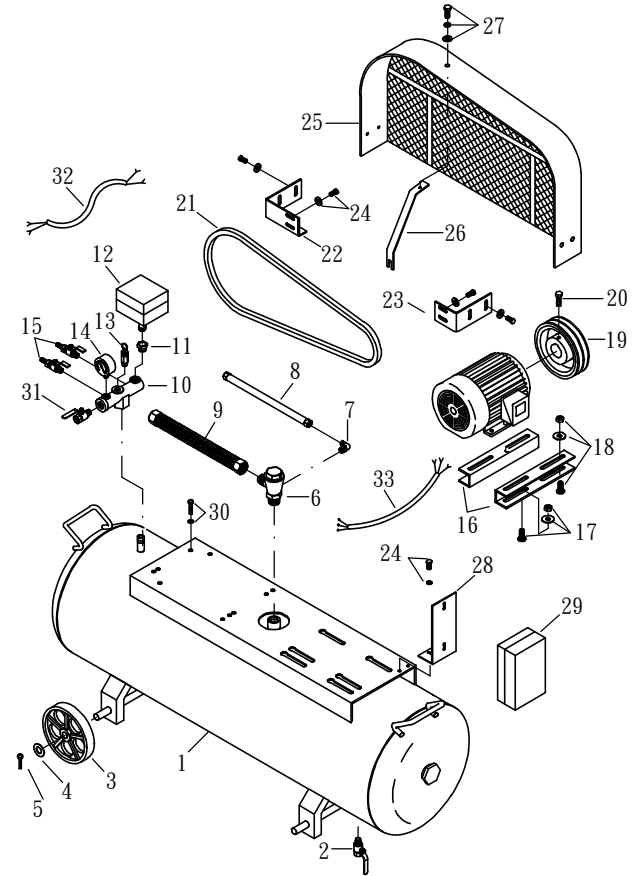


SPARE PARTS LIST

NO : EFX-2008

REF. NO.	DESCRIPTION	PART NO.	QTY.	REF. NO.	DESCRIPTION	PART NO.	QTY.
1	Cylinder head	3101094	1	27	Front bearing seat gasket	2G05-009	1
2	Allen bolt set	3B01-M12*055V	4	28	Trust ring	3312007-A	1
3	Allen bolt set	3B01-M08*055Z	1	29	Oil seal	2N50-TC43*68*12X	1
4	Cylinder head gasket	2G01-012C	1	30	Pulley	3PBF-115B243	1
5	In. & Ex. valve assembly	3B13-AP100	1	31	Fly wheel	3PBF-516*228	1
6	Valve seat gasket	2G03-006C	1	32	Hexagon bolt set	3B00-SM08*035AV	6
7	Double head screw set	3B11-004-A	8	33	Pulley washer	2B34-13*75*13	1
8	Cylinder	3201016G	1	34	Hexagon bolt set	3B00-SM12*050V	1
9	Cylinder gasket	2G04-010	2	35	Exhaust elbow	2N06-10T10H	3
10	Piston ring set	3B32-100N	1	36	Pressure relief valve	2406020	1
11	Piston set	3B31-100L	1	37	Exhaust tube set	3B2-10*700	1
12	Rod set	3B33-P7560X	1	38	Air filter	2140011	1
13	Rod bush(2 pieces)	2316002-BX	2	39	Filter element	2142009	1
14	Crankcase	3301128	1	40	Cylinder head	3101093	1
15	Oil draining plug	2N33-002	1	41	Hexagon bolt set	3B01-M10*050V	4
16	Oil sight gauge set	2303016A	1	42	Hexagon bolt set	3B01-M06*055Z	2
17	Oil filling plug set	2319004A	1	43	Cylinder head gasket	2G01-011C	1
18	Bearing	2N35-32209	2	44	In. & Ex. valve assembly	3B13-AP80	1
19	Crankshaft & balancer	3304026	1	45	Valve seat gasket	2G03-005C	1
20	Pulley key	2N47-10*8*40	1	46	Cylinder	3201013	1
21	Rear bearing seat gasket	2G06-003	1	47	Piston ring set	3B32-70N	1
22	Bolt set	3B07-SM16*40-A	1	48	Piston set	3B31-770	1
23	Rear bearing seat	3311038	1	49	Exhaust elbow	2N06-10T10T92	1
24	Breathing cover	2321008	1	50	Spare tank	3125002	1
25	Hexagon bolt	2B00-SM10*025	12	51	Rod set	3B33-TK7564X	1
26	Front bearing seat gasket	3309032	1				

MODEL : TK75-300 (Receive Tank)

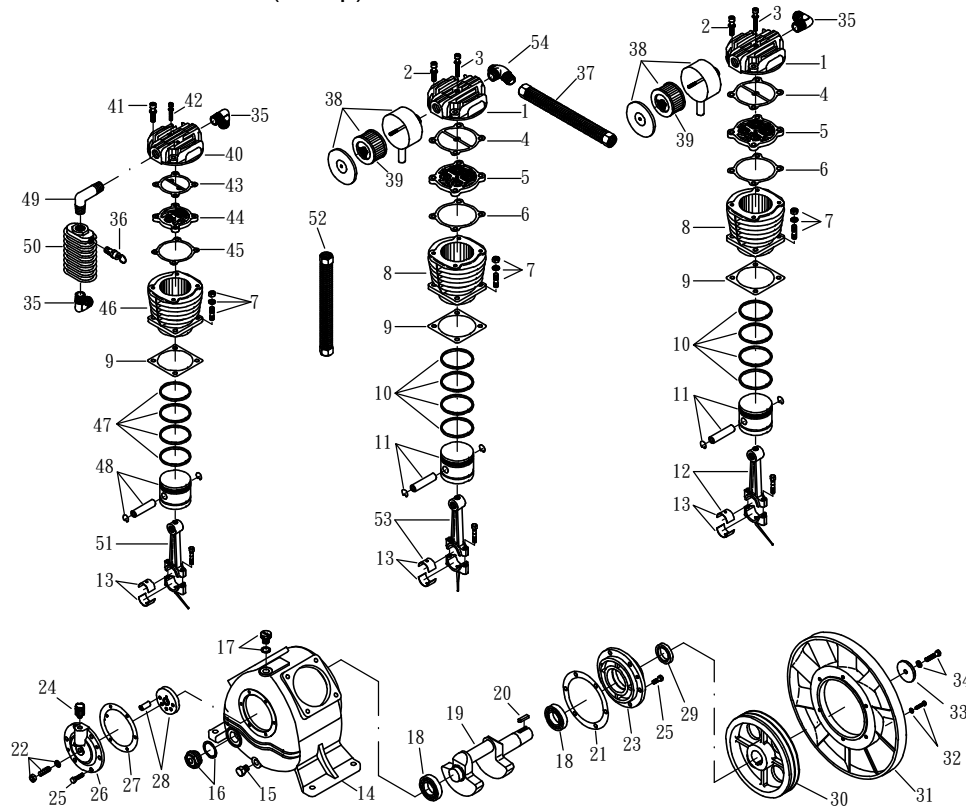


SPARE PARTS LIST

NO : EFX-2008

REF. NO.	DESCRIPTION	PART NO.	QTY.	REF. NO.	DESCRIPTION	PART NO.	QTY.
1	Air tank	3401A061	1	18	Motor feet bolt set	3B08-FM12*42-M	4
2	Ball valve	2413058	1	19	Motor pulley	3PMF-060B2M3810	1
3	Tank wheel	2402004	4	20	Hexagon bolt	2B00-SM08*020	2
4	Plate washer	2B30-23*46*12	4	21	V-belt	2N31-B74	2
5	Cotter pin	2N40-W015*14	4	22	Set bracket	3427010	1
6	Check valve	2414032	1	23	Set bracket	3427030	1
7	Unloading elbow	2N06-01T02H	1	24	Hexagon bolt set	3B00-FM08*015W	10
8	Unloading tube set	3B2-02*980F	1	25	Belt guard	3426019	1
9	Exhaust tube set	3B2-10*750	1	26	Bracket	3427021B	1
10	Exhaust manifold	3415012	1	27	Hexagon bolt set	3B00-FM06*015VW	1
11	Bushing	2N02-001	1	28	Magnetic switch seat	3417001	1
12	Pressure switch	2E21-008X	1	29	Magnetic switch	2E22-07*5641X	1
13	Pressure relief valve	2406054BX	1	30	Hexagon bolt set	3B00-FM12*035V	4
14	Pressure gauge	2D12-25V20K	1	31	Ball valve	2413008X	1
15	Ball valve	2413001X	2	32	Cable	2E02-1521802Y2Y	1
16	Motor base	3421005	2	33	Cable	2E02-2530503Y3Q	1
17	Motor feet bolt set	3B08-FM12*28-M	4				

MODEL : TK100300 (Pump)

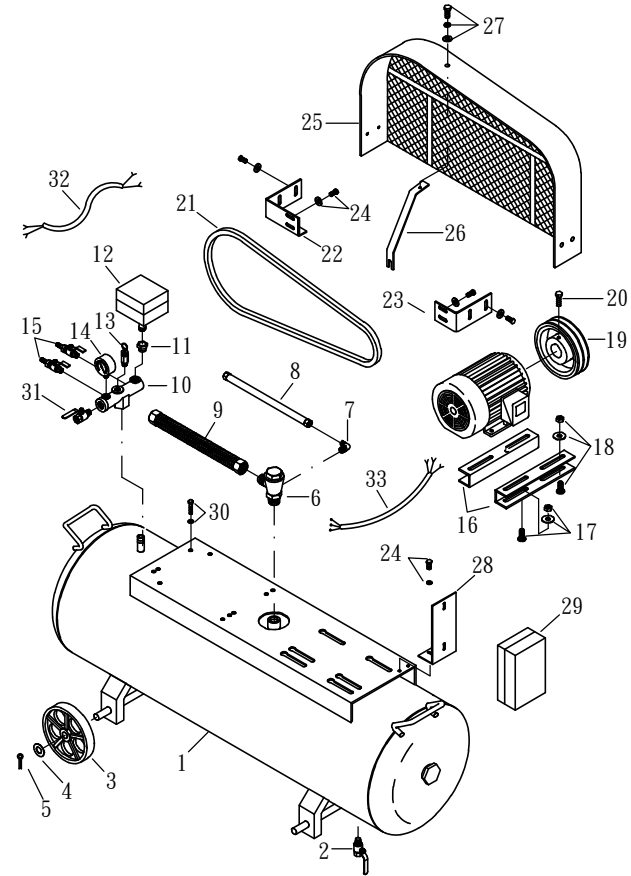


SPARE PARTS LIST

NO : EFX-2008

REF. NO.	DESCRIPTION	PART NO.	QTY.	REF. NO.	DESCRIPTION	PART NO.	QTY.
1	Cylinder head	3101094	2	28	Thrust block set	3312008-A	1
2	Allen bolt set	3B01-M12*055V	8	29	Oil seal	2N50-TC50*72*12	1
3	Allen bolt set	3B01-M08*055Z	2	30	Pulley	3PBF-115B350	1
4	Cylinder head gasket	2G01-012C	2	31	Fly wheel	3PBF-516*228	1
5	Inlet&Exhaust valve assembly	3B13-AP100	2	32	Hexagon bolt set	3B00-SM08*035AV	6
6	Valve seat gasket	2G03-006C	2	33	Plate washer	2B34-13*75*13	1
7	Double head screw set	3B11-004-A	12	34	Hexagon bolt set	3B00-SM12*050V	1
8	Cylinder	3201016G	2	35	Exhaust elbow	2N06-10T10H	3
9	Cylinder gasket	2G04-010	3	36	Pressure relief valve	2406020	1
10	Piston ring set	3B32-100N	2	37	Exhaust tube set	3B2-10*265	1
11	Piston set	3B31-100L	2	38	Air filter set	2140011	2
12	Rod set	3B33-P7567X	1	39	Filter element	2142009	2
13	Crank rod bush(2 pieces)	2316002-BX	3	40	Cylinder head	3101093	1
14	Crankcase	3301129	1	41	Hexagon bolt set	3B01-M10*050V	4
15	Oil draining plug	2N33-002	1	42	Hexagon bolt set	3B01-M06*055Z	2
16	Oil sight gauge set	2303016A	1	43	Cylinder head gasket	2G01-011C	1
17	Oil filling plug set	2319004A	1	44	In. & Ex. valve assembly	3B13-AP80	1
18	Bearing	2N35-32210	2	45	Valve seat gasket	2G03-005C	1
19	Crankshaft & balancer	3304027	1	46	Cylinder	3201013	1
20	Pulley key	2N47-10*8*40	1	47	Piston ring set	3B32-70N	1
21	Rear bearing seat gasket	2G06-003	1	48	Piston set	3B31-T70	1
22	Bolt set	3B07-SM16*40-A	1	49	Exhaust elbow	2N06-10T10T92	1
23	Rear bearing seat	3311037	1	50	Spare tank	3125002	1
24	Breathing cover	2321008	1	51	Rod set	3B33-TRK071X	1
25	Hexagon bolt	2B00-SM10*025	12	52	Exhaust tube set	3B2-10*580	1
26	Front bearing seat	3309042P	1	53	Rod set	3B33-P7568X	1
27	Front bearing seat gasket	2G05-009	1	54	Exhaust three way pipe	2N09-10H10T10H3	1

MODEL : TK100-300 (Receive Tank)



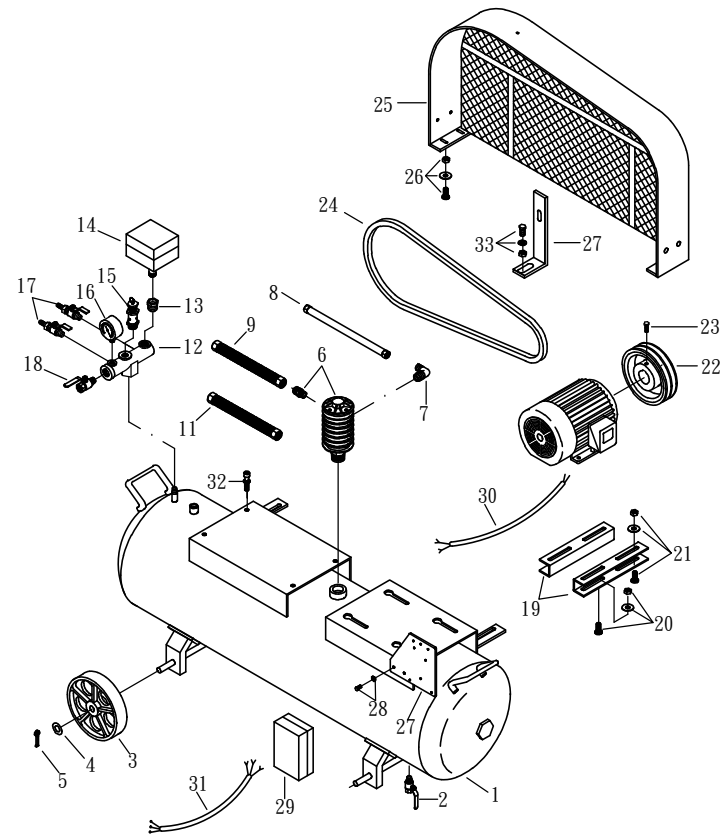
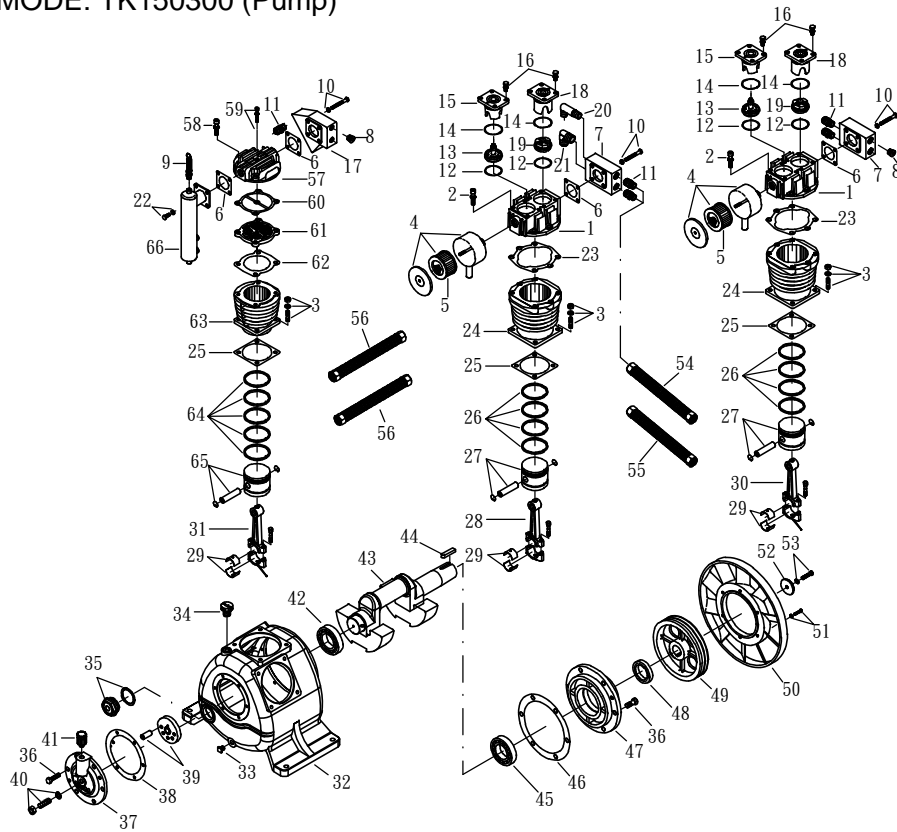
SPARE PARTS LIST

NO : EFX-2008

REF. NO.	DESCRIPTION	PART NO.	QTY.	REF. NO.	DESCRIPTION	PART NO.	QTY.
1	Air tank	3401A061	1	18	Motor feet bolt set	3B08-FM12*42-M	4
2	Ball valve	2413058	1	19	Motor pulley	3PMF-055B3M3810	1
3	Tank wheel	2402004	4	20	Hexagon bolt	2B00-SM08*020	2
4	Plate washer	2B30-23*46*12	4	21	V-belt	2N31-B74	3
5	Cotter pin	2N40-W015*14	4	22	Set bracket	3427010	1
6	Check valve	2414032	1	23	Set bracket	3427030	1
7	Unloading elbow	2N06-01T02H	1	24	Hexagon bolt set	3B00-FM08*015W	12
8	Unloading tube set	3B2-02*980F	1	25	Belt guard	3426019	1
9	Exhaust tube set	3B2-10*750	1	26	Bracket	3427021B	1
10	Exhaust manifold	3415012	1	27	Hexagon bolt set	3B00-FM06*015VW	1
11	Bushing	2N02-001	1	28	Magnetic switch seat	3417002	1
12	Pressure switch	2E21-008X	1	29	Magnetic switch	2E22-10*5641X	1
13	Pressure relief valve	2406054BX	1	30	Hexagon bolt set	3B00-FM12*040V	4
14	Pressure gauge	2D12-25V20K	1	31	Ball valve	2413008X	1
15	Ball valve	2413001X	2	32	Cable	2E02-1521802Y2Y	1
16	Motor base	3421005	2	33	Cable	2E02-4030403Y3Q	1
17	Motor feet bolt set	3B08-FM12*28-M	4				

MODE: TK150300 (Pump)

MODEL : TK150300 (Receive Tank)



SPARE PARTS LIST

NO : EFX-2111

REF. NO.	DESCRIPTION	PART NO.	QTY.	REF. NO.	DESCRIPTION	PART NO.	QTY.
1	Cylinder head	3101054	2	34	Oil filling plug set	2319004A	1
2	Allen bolt set	3B01-M12*045V	12	35	Oil sight gauge set	2303016A	1
3	Double head screw set	3B11-004-A	12	36	Hexagon bolt	2B00-SM10*025	12
4	Air filter	2140011	2	37	Front bearing seat	3309032	1
5	Filter element	2142009	2	38	Front bearing seat gasket	2G05-009	1
6	Exhaust tank gasket	2G09-004H	4	39	Trust ring set	3312007-A	1
7	Exhaust tank	3127001	2	40	Bolt set	3B07-SM16*40-A	1
8	Plug	2B14-ST06E	5	41	Breathing cover	2321008	1
9	Pressure relief valve	2406020	1	42	Bearing	2N35-32209	1
10	Hexagon bolt set	3B00-SM10*075V	12	43	Crankshaft & balancer	3304153	1
11	Nipple	2N01-009	6	44	Pulley key	2N47-10*8*45	1
12	Inlet&Exhaust washer	2B32-004	4	45	Bearing	2N35-32210	1
13	Inlet valve assembly	3B12-NK150A	2	46	Rear bearing seat gasket	2G06-020	1
14	O-ring	2N52-G65V	4	47	Rear bearing seat	3311029	1
15	Inlet press plate	3103001	2	48	Oil seal	2N50-TC50*72*12	1
16	Hexagon bolt set	3B00-SM08*030V	16	49	Pulley	3PBF-138B450	1
17	Exhaust tank	3127002	1	50	Fly wheel	3PBF-630*280	1
18	Exhaust press plate	3126009	2	51	Hexagon bolt set	3B00-SM08*035AV	6
19	Exhaust valve assembly	3B11-NK150A	2	52	Pulley washer	2B34-13*95*12	1
20	Exhaust elbow	2N06-06T06H85	1	53	Hexagon bolt set	3B00-SM12*050V	1
21	Exhaust elbow	2N06-06T06H	1	54	Exhaust tube set	3B2-06*245	1
22	Hexagon bolt set	3B00-SM10*025V	4	55	Exhaust tube set	3B2-06*190	1
23	Cylinder head gasket	2G01-020C	2	56	Exhaust tube set	3B2-06*580	2
24	Cylinder	3201021G	2	57	Cylinder head	3101024	1
25	Cylinder gasket	2G04-008	3	58	Allen bolt set	3B01-M12*065V	4
26	Piston ring set	3B32-120N	2	59	Allen bolt set	3B01-M08*085Z	1
27	Piston set	3B31-120NP	2	60	Cylinder head gasket	2G01-012C	1
28	Rod set	3B33-GK150X	1	61	Inlet&Exhaust valve assembly	3B13-AP100	1
29	Crank rod bush(2 pieces)	2316007-BX	3	62	Valve seat gasket	2G03-006C	1
30	Rod set	3B33-GK150BX	1	63	Cylinder	3201022	1
31	Rod set	3B33-GT150X	1	64	Piston ring set	3B32-T100N	1
32	Crankcase	3301131	1	65	Piston set	3B31-T100	1
33	Oil draining plug	2N33-002	1	66	Spare tank	3125003	1

SPARE PARTS LIST

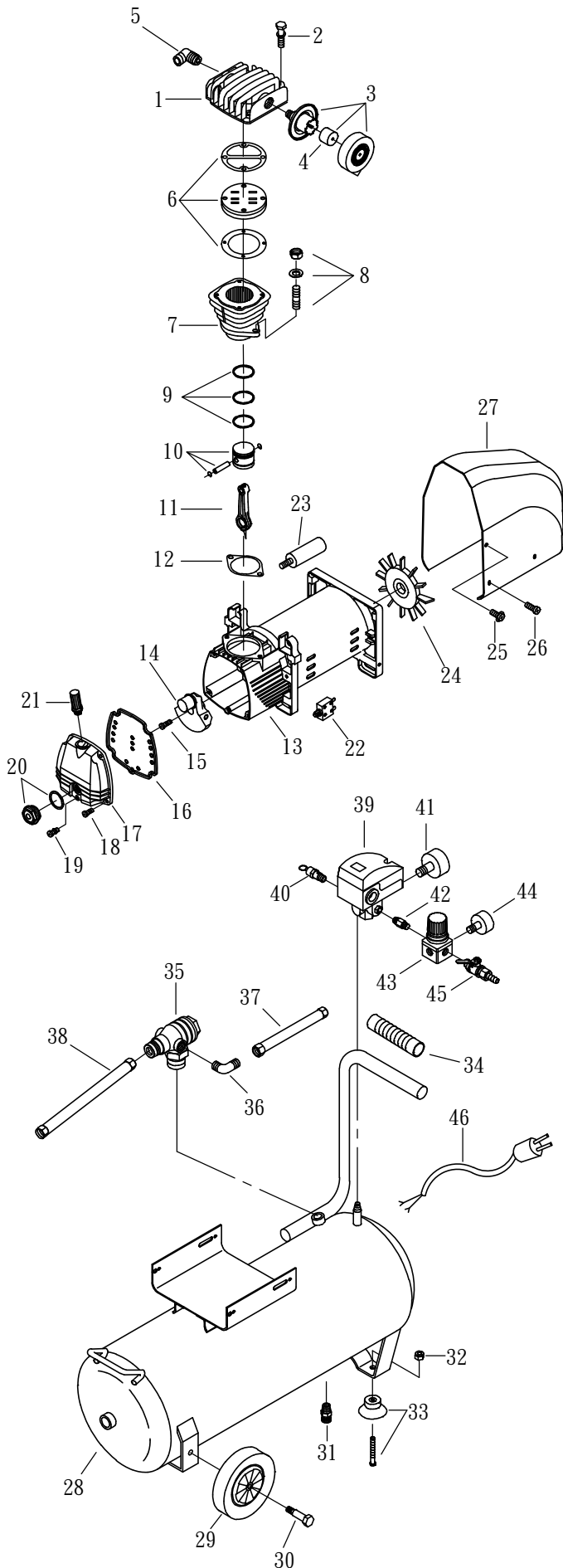
NO : EFX-2111

REF. NO.	DESCRIPTION	PART NO.	QTY.	REF. NO.	DESCRIPTION	PART NO.	QTY.
1	Air tank	3401A062	1	18	Motor base	3421005	2
2	Ball valve	2413058	1	19	Motor feet set bolt	3B08-FM12*28-M	4
3	Tank wheel	2402009	4	20	Motor feet set bolt	3B08-FM12*42-M	4
4	Plate washer	2B30-23*46*12	1	21	Motor pulley	3PMF-065B4M4212	1
5	Cotter pin	2N40-W015*14	4	22	Hexagon bolt	2B00-SM08*025	2
6	Check valve	2414020A	1	23	V-belt	2N31-B83	4
7	Unloading elbow	2N06-01T02H	1	24	Belt guard	3426021	1
8	Unloading tube set	3B2-02*1200F	1	25	Motor feet bolt set	3B08-FM08*20-N	4
9	Exhaust tube set	3B2-06*740	1	26	Bracket	3427054A	1
10	Exhaust tube set	3B2-06*930	1	27	Magnetic switch seat	3417009	1
11	Exhaust manifold	3415012	1	28	Hexagon bolt set	3B00-FM08*015W	2
12	Bushing	2N02-001	1	29	Magnetic switch	2E22-15*5641X	1
13	Pressure switch	2E21-008X	1	30	Cable	2E02-152202Y2Y	1
14	Pressure relief valve	2406054BX	1	31	Cable	2E02-6030653Y3Q	1
15	Pressure gauge	2D12-25V20K	1	32	Allen bolt set	3B01-M14*055V	4
16	Ball valve	2413001X	2	33	Hexagon bolt set	3B00-FM06*015WN	1
17	Ball valve	2413008X	1				

MODEL: XN2040

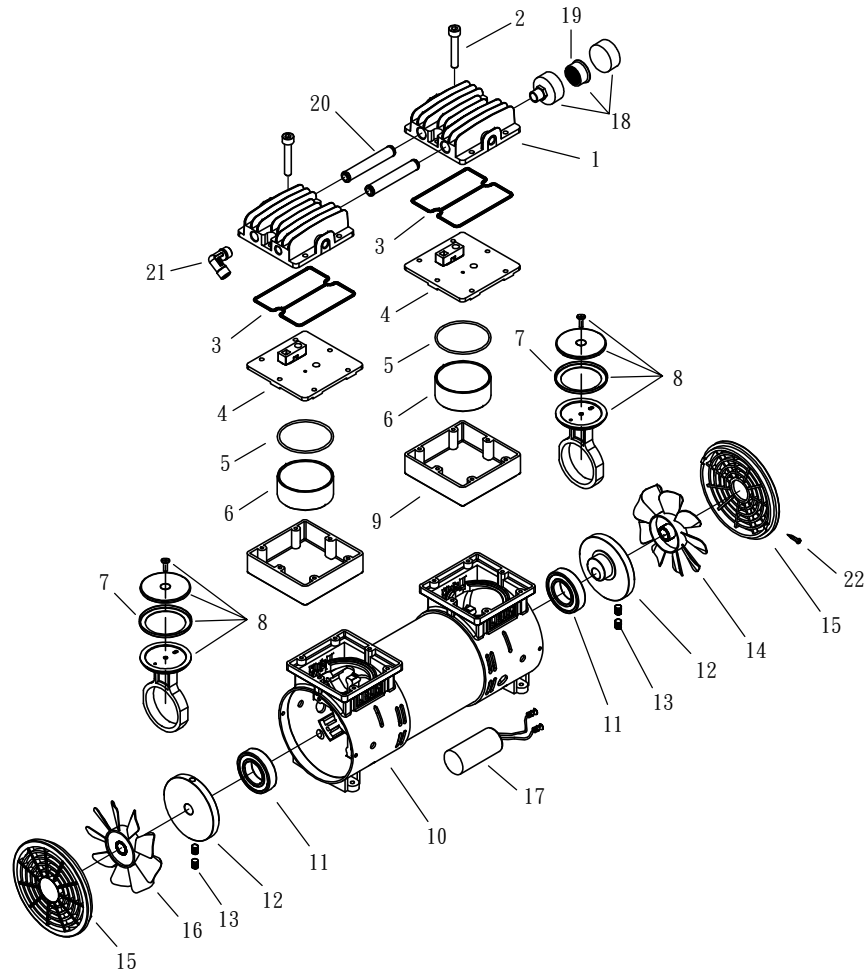
SPARE PARTS LIST

NO : EFX-2111



REF. NO.	DESCRIPTION	PART NO.	QTY.
1	Cylinder head	3101-XN02	1
2	Allen bolt set	3B01-M06*050V	4
3	Air filter set	2140006	1
4	Filter element	2142004	1
5	Exhaust elbow	2N06-03T03HC	1
6	In. & Ex. valve assembly	3B13-XN02-A	1
7	Cylinder	3201-XN20	1
8	Double head screw	3B11-008-A	2
9	Piston ring set	3B32-XN02	1
10	Piston set	3B31-XN02	1
11	Rod	2315-XN02	1
12	Cylinder gasket	2G04-XN02	1
13	Motor set	3B8-XN2007	1
14	Crankshaft & balancer	3304-XN02	1
15	Bolt	2B01-M08*020L	1
16	Front cover gasket	2G07-010A	1
17	Front cover	3309056	1
18	Bolt	2B02-FM6*015	4
19	Bolt	3B02-FM6*035-R	1
20	Oil sight gauge set	2303003A	1
21	Breather set	2339009A	1
22	Circuit breaker	2E25-08AS	1
23	Running capacitor	2E27-030S45X45	1
24	Cooling fan	2336037-2	1
25	Bolt	2B00-FM05*010WB	2
26	Allen bolt set	3B01-M05*020W	4
27	Shroud	2428010	1
28	Air tank	3401A210	1
29	Tank wheel	2402025	2
30	Tank wheel bolt	2418001	2
31	Drain valve	2405012	1
32	U-nut	2B21-PM05	2
33	Rubber pad set	3433005-A	2
34	Grip	2432-XN02	1
35	Check valve	2414036RX	1
36	Unloading tube	2N06-01T02H	1
37	Unloading tube set	3B2-02*300F	1
38	Exhaust tube set	3B2-03*550N	1
39	Pressure switch	2E21-028P	1
40	Pressure relief valve	2406052X	1
41	Pressure gauge	2D12-20D14KS	1
42	Nipple	2N01-045	1
43	Regulator	2408008RNX	1
44	Pressure gauge	2D12-15D14KS	1
45	Ball valve	2413001X	1
46	Power cable	2E01-043X	1

MODEL :WE125(Pump)

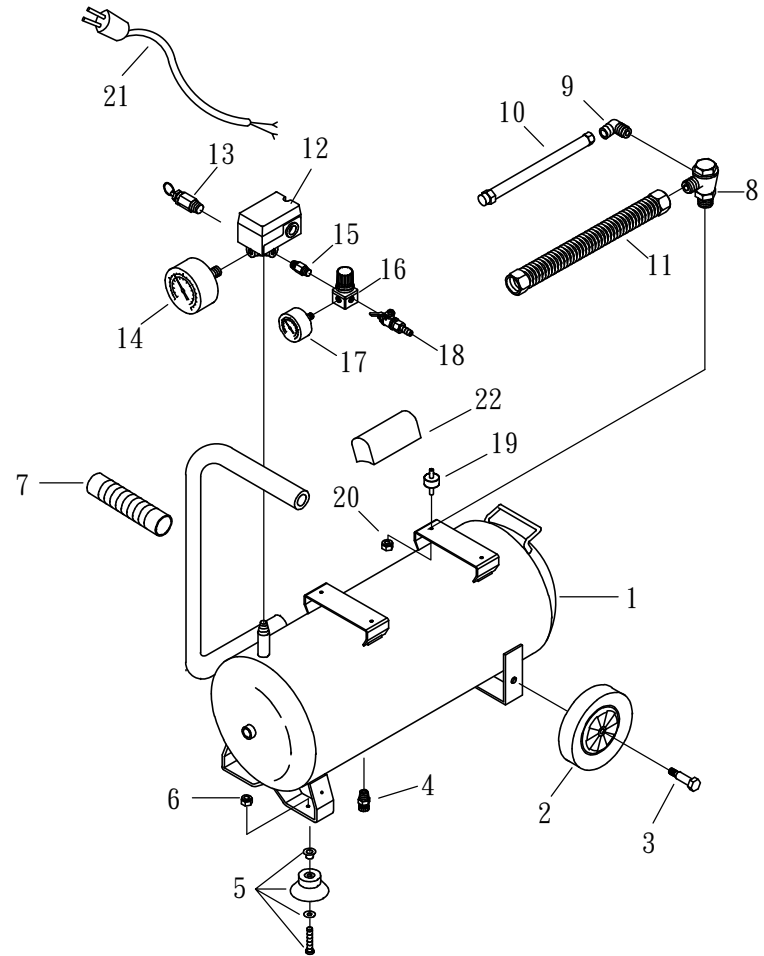


SPARE PARTS LIST

NO : EFX-2109

REF. NO.	DESCRIPTION	PART NO.	QTY.	REF. NO.	DESCRIPTION	PART NO.	QTY.
1	Cylinder head	3101-WE06	2	12	Crankshaft & balancer	3304-WE08H	1
2	Hexagon socket set bolt	3B00-M05*050W	12	13	Set screw	2B07-SM08*16	4
3	Cylinder head seal	2G01-WE06	2	14	Cooling fan(L)	2336-WE06L	1
4	In. & Ex. valve assembly	3B13-WE06	2	15	Front cover	3309-WE06	2
5	Valve seat seal	2G03-WE06	2	16	Cooling fan(R)	2336-WE06R	1
6	Cylinder	3201-WE08H	2	17	Running capacitor	2E27-020F45X38	1
7	Piston ring plate	2214-WE06	2	18	Air filter	2140-OTS02	1
8	Piston rod set	3B3-WE08	2	19	Filter element	2142020	1
9	Cylinder support	3201H-WE08H	2	20	Nipple	2N01-WE06	2
10	Motor set	3B8-WE0807	1	21	Exhaust elbow	2N06-02T03H	1
11	Bearing	2N35-WE06ROD	2	22	Plug	2B17-FW01*03B	4

MODEL :WE125(Receive Tank)

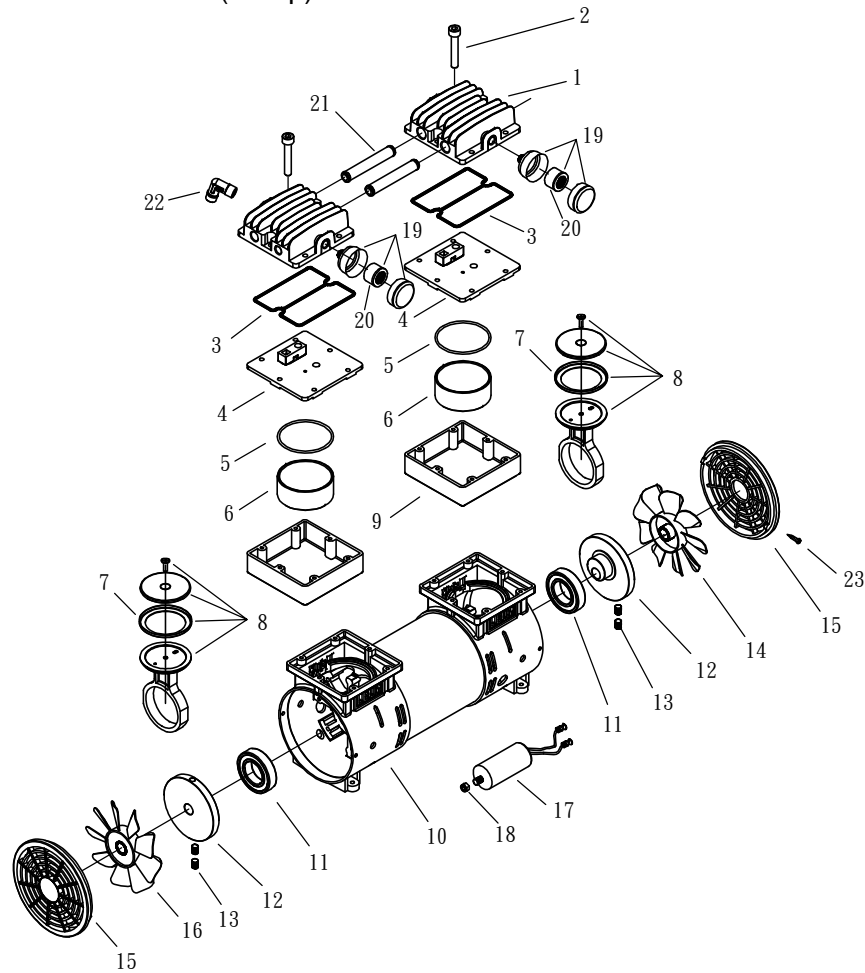


SPARE PARTS LIST

NO : EFX-2109

REF. NO.	DESCRIPTION	PART NO.	QTY.	REF. NO.	DESCRIPTION	PART NO.	QTY.
1	Air tank	3401A201	1	12	Pressure switch	2E21-028P	1
2	Tank wheel	2402050X	2	13	Pressure relief valve	2406052X	1
3	Tank wheel bolt	2418001	2	14	Pressure gauge	2D12-20D14KS	1
4	Drain valve	2405012	1	15	Nipple	2N01-045	1
5	Rubber pad set	3433005-A	2	16	Regulator	2408008LNX	1
6	U-nut	2B21-PM05	2	17	Pressure gauge	2D12-15D14KS	1
7	Grip	2432004	1	18	Ball valve	2413001X	1
8	Check valve	2414036X	1	19	Feet block	3439-WE06	4
9	Unloading elbow	2N06-01T02H	1	20	Hexagon head nut	2B20-FM06	4
10	Tube set	3B2-02*300F	1	21	Power wire	2E01-043X	1
11	Exhaust sofe tube	2T02-03*0300GJ	1	22	Capacitor box	3E23-A52*B2N	1

MODEL :WE1110A-3(Pump)

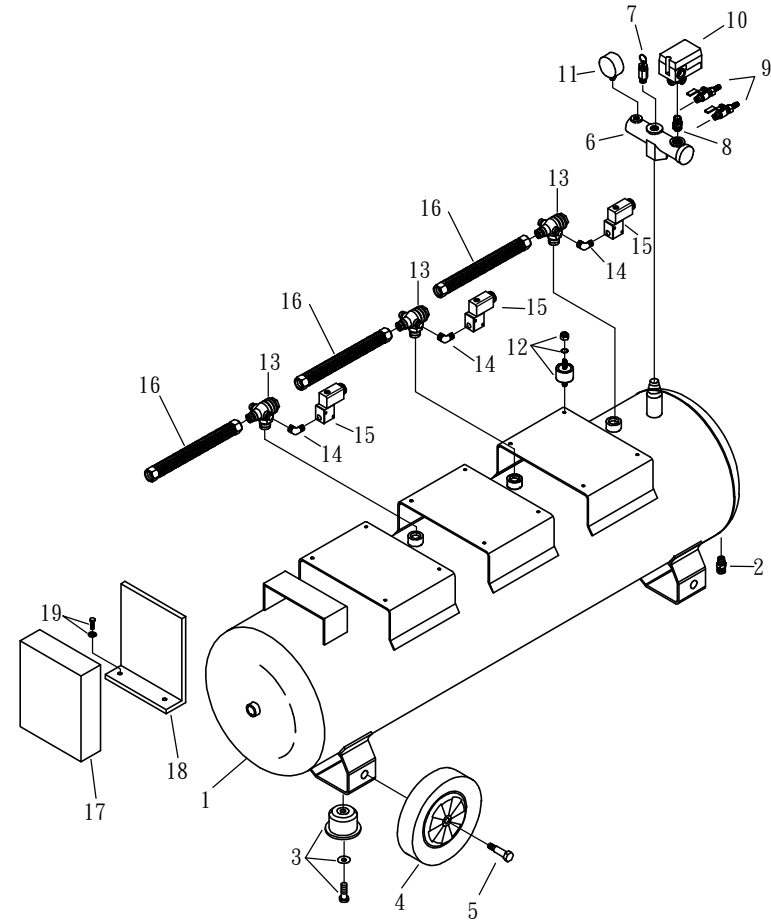


SPARE PARTS LIST

NO : EFX-1801

REF. NO.	DESCRIPTION	PART NO.	QTY.	REF. NO.	DESCRIPTION	PART NO.	QTY.
1	Cylinder head	3101-WE11	2	13	Set screw	2B07-SM08*16	4
2	Hexagon socket set bolt	2B01-M06*065	12	14	Cooling fan(L)	2336-WE11L	1
3	Cylinder head seal	2G01-WE11	2	15	Front cover	3309-WE11	2
4	In. & Ex. valve assembly	3B13-WE11	2	16	Cooling fan(R)	2336-WE11R	1
5	Valve seat seal	2G03-WE11	2	17	Running capacitor	2E27-035S45X44	3
6	Cylinder	3201-WE11H	2	18	Hexagon head nut	2B20-FM08	4
7	Piston ring plate	2214-WE06	2	19	Air filter	2140-OTS04	2
8	Piston rod set	3B3-WE11	2	20	Filter element	2142020	2
9	Cylinder support	3201H-WE11H	2	21	Nipple	2N01-WE11	2
10	Motor set	3B8-WE1107	1	22	Exhaust elbow	2N06-04T03HS	2
11	Bearing	2N35-WE11ROD	2	23	Plug	2B17-FW01*03B	4
12	Crankshaft & balancer	3304-WE11H	1				

MODEL :WE1110A-3(Receive Tank)

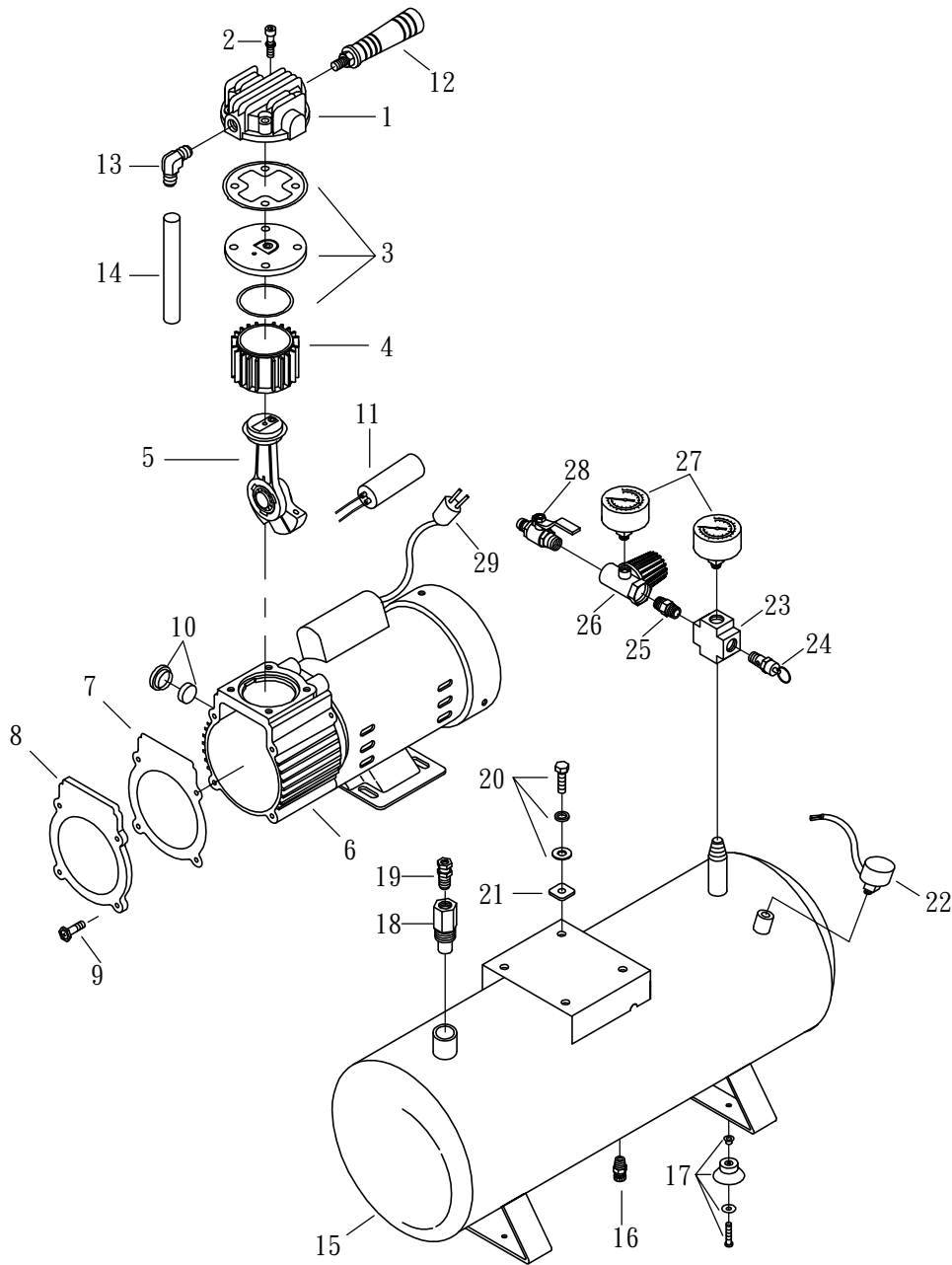


SPARE PARTS LIST

NO : EFX-1801

REF. NO.	DESCRIPTION	PART NO.	QTY.	REF. NO.	DESCRIPTION	PART NO.	QTY.
1	Air tank	3401A202	1	11	Pressure gauge	2D12-25V14K	1
2	Drain valve	2405012	1	12	Feet block	2439-WE11	12
3	Rubber pad set	3433015-A	4	13	Check valve	2414036X	3
4	Tank wheel	2402005	4	14	Nipple	2N01-01T01TC	3
5	Tank wheel bolt	2418001	4	15	Solenoid valve	2E20-113X	3
6	Exhaust manifold	3415010	1	16	Exhaust safe tube	2T02-03*0300GJ	3
7	Pressure relief valve	2406052X	1	17	Controller	2E34-GT400D11K37E	1
8	Nipple	2N01-001	1	18	Magnetic switch seat	3417024	1
9	Ball valve	2413001X	2	19	Hexagon bolt set	3B00-FM08*015W	2
10	Pressure switch	2E21-031P	1				

MODEL : MB0104

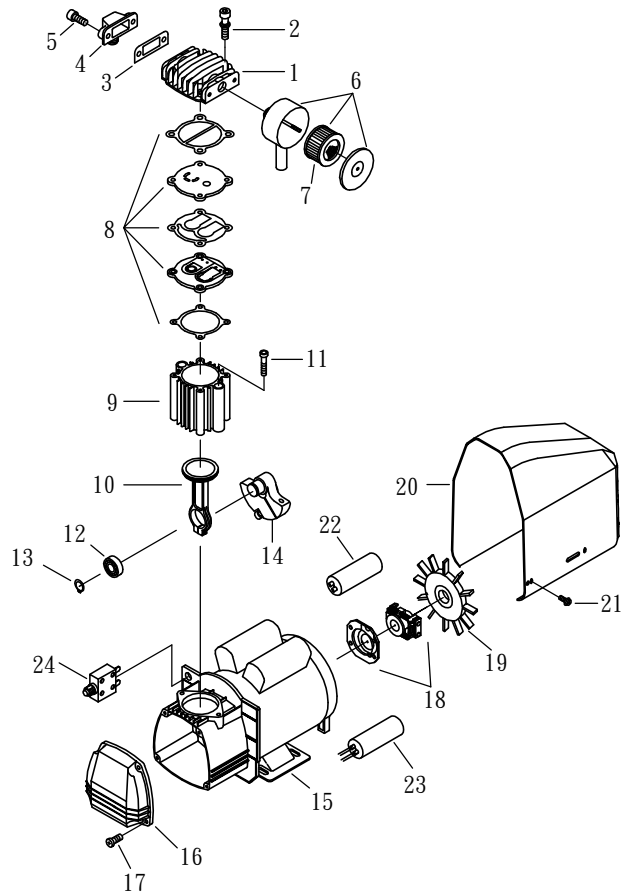


SPARE PARTS LIST

NO : EF-2111

REF. NO.	DESCRIPTION	PART NO.	QTY.	REF. NO.	DESCRIPTION	PART NO.	QTY.
1	Cylinder head	3101063	1	16	Drain valve	2405011	1
2	Allen bolt set	3B01-M05*060V	4	17	Rubber pad set	3433005-A	4
3	Exhaust valve seat set	3B11-DC02S	1	18	Check valve	2414033	1
4	Cylinder	3201068	1	19	Hose nipple	2N15-F02TM06	1
5	Rod set	3B34-DC02S	1	20	Hexagon bolt set	3B00-FM06*015VW	4
6	Motor set	3B8-MB0107B	1	21	Gasket	2G11-007	4
7	Front cover gasket	2G07-012	1	22	Pressure switch	2E21-090	1
8	Front cover	3309028	1	23	Brass 4-way	2N04-C1222	1
9	Hexagon bolt	2B00-FM04*010A	4	24	Pressure relief valve	2406021T	1
10	Air filter	2140026	1	25	Nipple	2N01-02T02T030C	1
11	Running capacitor	2E27-004F4525	1	26	Regulator	2408010R	1
12	Grip	3432011	1	27	Pressure gauge	2D12-15D07KS	2
13	Hose elbow	2N16-F01TM06	1	28	Ball valve	2413010	1
14	Hose	2T03-W02*0160	1	29	Power cable	2E01-043ST	1
15	Air tank	3401450	1				

MODEL :OLD20-10V (Pump)

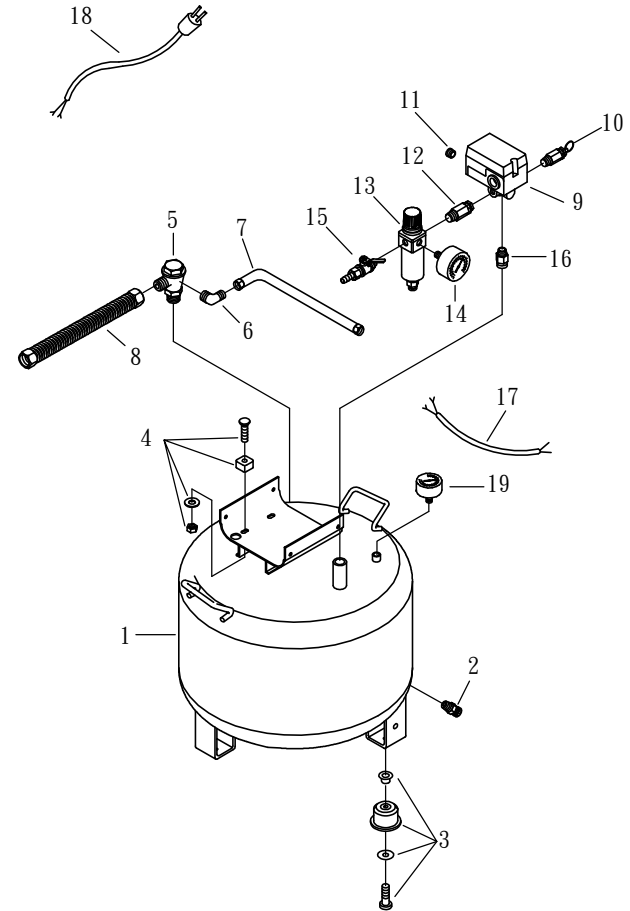


SPARE PARTS LIST

NO : EF-2011

REF. NO.	DESCRIPTION	PART NO.	QTY.	REF. NO.	DESCRIPTION	PART NO.	QTY.
1	Cylinder head	3101042	1	13	Retainer	2N42-S17	1
2	Allen bolt set	3B01-M06*040V	4	14	Crankshaft & balancer	3304095	1
3	Exhaust elbow gasket	2G09-001H	1	15	Motor set	3B8-OF2007	1
4	Exhaust elbow	2N06-04H1	1	16	Front cover	3309015	1
5	Allen bolt	2B01-M08*020	2	17	Bolt	2B02-FM6*015	4
6	Air filter set	2140037	1	18	Centrifugal switch set	2E24-14064P	1
7	Filter element	2142021	1	19	Cooling fan	2336037-2	1
8	Inlet&Exhaust valve seat	3B13-AC0763	1	20	Shroud	2428003	1
9	Cylinder	3201050	1	21	Bolt	2B00-FM05*010WB	6
10	Rod set	3B3-OF20	1	22	Starting capacitor	2E28-300F2540	1
11	Allen bolt	2B01-M08*040	2	23	Running capacitor	2E27-040F2540	1
12	Bearing	2N35-6303LLB	1	24	Circuit breaker	2E25-10A	1

MODEL :OLD20-10V (Receive Tank)

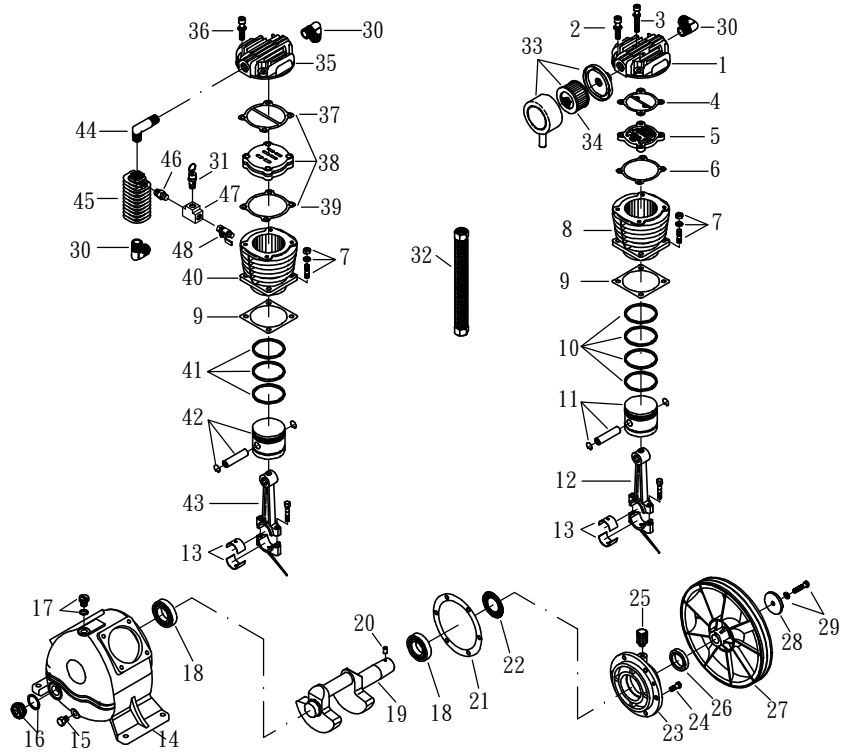


SPARE PARTS LIST

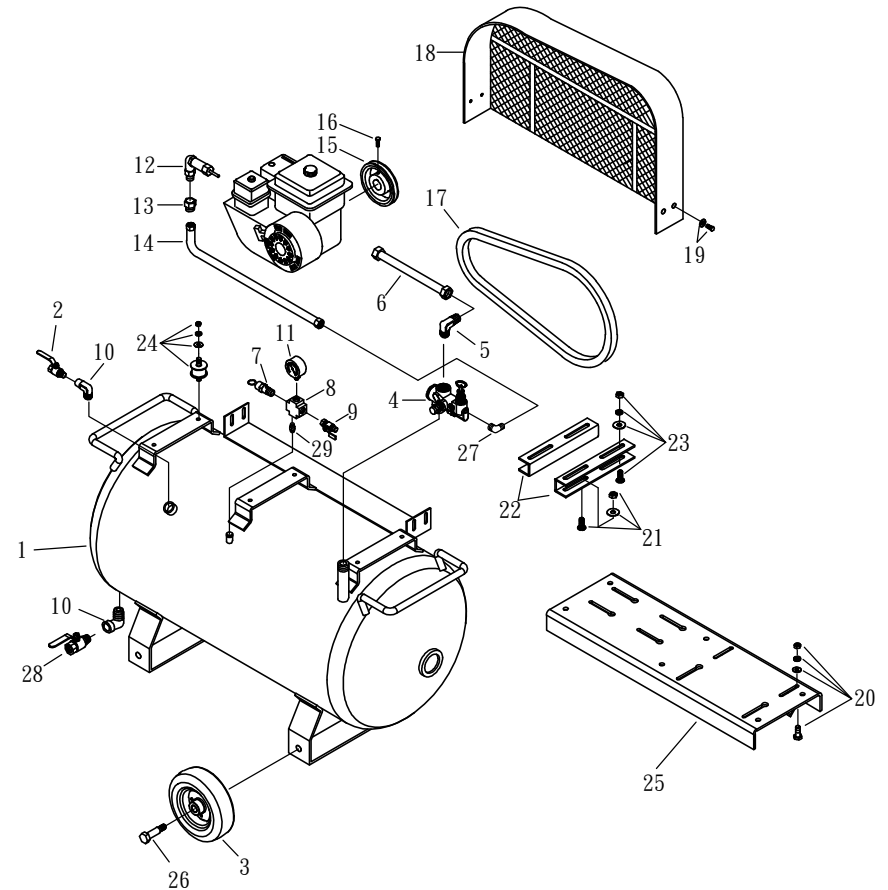
NO : EF-2011

REF. NO.	DESCRIPTION	PART NO.	QTY.	REF. NO.	DESCRIPTION	PART NO.	QTY.
1	Air tank	3401A064	1	11	Plug	2B14-ST02E	1
2	Drain valve	2405011	1	12	Nipple	2N01-02T02TC050	1
3	Rubber pad set	3433011-A	1	13	Regulator	2408032	1
4	Motor feet set bolt set	3B08-FM08*30-A	4	14	Pressure gauge	2D12-15D15KS	1
5	Check valve	2414025RT	1	15	Ball valve	2413001	1
6	Unloading elbow	2N06-01T02H	1	16	Nipple	2N01-04T02TS115	1
7	Unloading tube	3B2-02*630F	1	17	Cable	2E02-2020502Y2T	1
8	Exhaust tube set	3B2-04*380	1	18	Power cable	2E01-001	1
9	Pressure switch	2E21-023	1	19	Pressure gauge	2D12-20D14KS	1
10	Pressure relief valve	2406021T	1				

MODEL : GT55-160G2 (Pump)



MODEL : GT55-160G2 (Receive Tank)



SPARE PARTS LIST

NO : EFX-2110

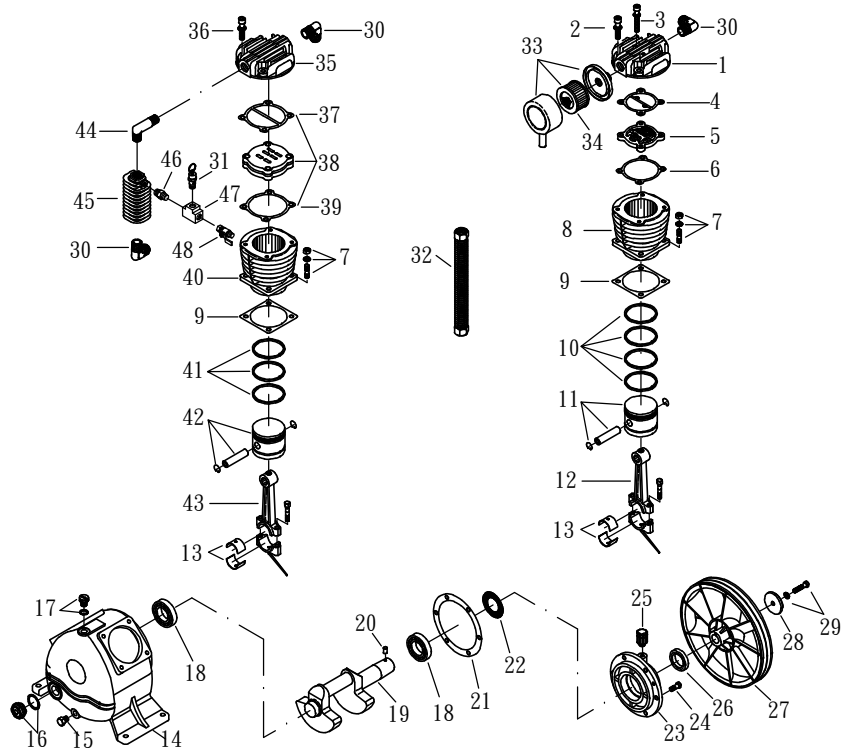
REF. NO.	DESCRIPTION	PART NO.	QTY.	REF. NO.	DESCRIPTION	PART NO.	QTY.
1	Cylinder head	3101092	1	25	Breathing cover	2321008	1
2	Allen bolt set	3B01-M10*050V	4	26	Oil seal	2N50-TC30*50*11	1
3	Allen bolt set	3B01-M06*055Z	2	27	Pulley	3PBF-145A230M	1
4	Cylinder head gasket	2G01-011C	1	28	Pulley washer	2B34-13*52*14	1
5	In. & Ex. valve assembly	3B13-AP80	1	29	Hexagon bolt set	3B00-SM12*050V	1
6	Valve seat gasket	2G03-005C	1	30	Exhaust elbow	2N06-06T06H	3
7	Double head screw set	3B11-003-A	8	31	Pressure relief valve	2406020	1
8	Cylinder	3201015G	1	32	Exhaust tube set	3B2-06*610	1
9	Cylinder gasket	2G04-009	2	33	Air filter set	2140009	1
10	Piston ring set	3B32-80N	1	34	Filter element	2142002	1
11	Piston set	3B31-80L	1	35	Cylinder head	3101043	1
12	Rod set	3B33-P2338X	1	36	Allen bolt set	3B01-M06*040V	4
13	Crank rod bush(2 pieces)	2316001-BX	2	37	Cylinder head gasket	2G01-015C	1
14	Crankcase	3301126B	1	38	In. & Ex. valve assembly	3B13-K5065C	1
15	Oil draining plug	2N33-002	1	39	Valve seat gasket	2G03-010H	1
16	Oil sight gauge set	2303016A	1	40	Cylinder	3201029	1
17	Oil filling plug set	2319004A	1	41	Piston ring set	3B32-65N	1
18	Bearing	2N35-6206X	2	42	Piston set	3B31-T65	1
19	Crankshaft & balancer	3304024	1	43	Rod set	3B33-TK3042X	1
20	Pulley key	2N47-63*09	1	44	Exhaust elbow	2N06-06T06T85	1
21	Rear bearing seat gasket	2G06-002	1	45	Spare tank	3125001	1
22	Oil mesh	2352001	1	46	Nipple	2N01-001	1
23	Rear bearing seat	3311002	1	47	Brass three way pipe	2C03-C222	1
24	Hexagon bolt	2B00-SM10*025	6	48	Ball valve	2413010	1

SPARE PARTS LIST

NO : EFX-2110

REF. NO.	DESCRIPTION	PART NO.	QTY.	REF. NO.	DESCRIPTION	PART NO.	QTY.
1	Air tank	3401A184A	1	16	Hexagon bolt	2B07-SM08*16	2
2	Ball valve	2413007X	1	17	V-belt	2N31-A60	2
3	Tank wheel	2402059	4	18	Belt guard	3426045B	1
4	Unloading valve	3407024	1	19	Hexagon bolt set	3B00-FM08*015W	4
5	Exhaust elbow	3B13-K5065C	1	20	Motor feet bolt set	3B08-FM10*38-B	4
6	Exhaust soft Tube	2T02-06*0650	1	21	Motor feet bolt set	3B08-FM08*20-B	4
7	Pressure relief valve	2406043CE	1	22	Motor base	3421002A	2
8	Brass three way pipe	2N04-C2222	1	23	Motor feet bolt set	3B08-FM08*42-G	4
9	Ball valve	2413001X	1	24	Rubber pad set	3439006-A	6
10	Exhaust elbow	2N08-04T04TES	2	25	Base	3403168A	1
11	Pressure gauge	2D12-25V20KL	1	26	Tank wheel bolt	2418005	4
12	Idling device	2423030	1	27	Elbow	2N16-C01TW02M	1
13	Idling device nut	2B23-CW02FPU	1	28	Ball valve	2413058	1
14	Tube	3T03-W02*1000G	1	29	Nipple	2N01-001	1
15	Engine pulley	3PGF-045A2W0615	1				

MODEL : GT55-160G2 (Pump)

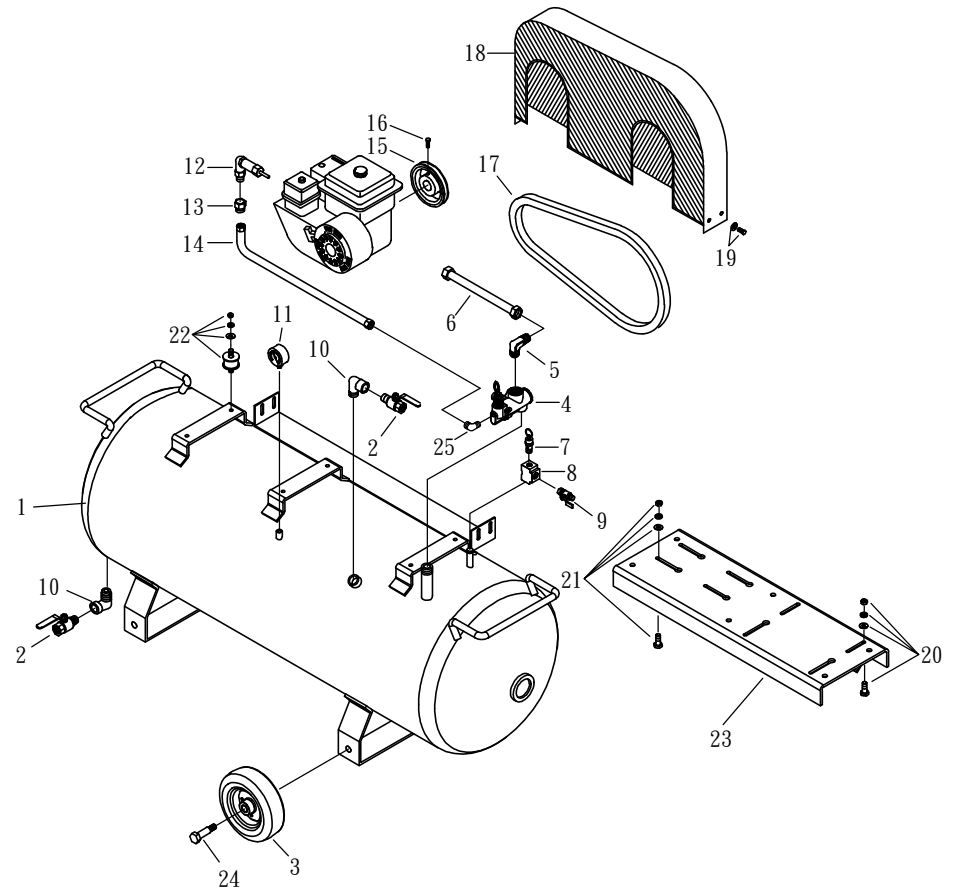


SPARE PARTS LIST

NO : EFX-2111

REF. NO.	DESCRIPTION	PART NO.	QTY.	REF. NO.	DESCRIPTION	PART NO.	QTY.
1	Cylinder head	3101092	1	25	Breathing cover	2321008	1
2	Allen bolt set	3B01-M10*050V	4	26	Oil seal	2N50-TC30*50*11	1
3	Allen bolt set	3B01-M06*055Z	2	27	Pulley	3PBF-145A230M	1
4	Cylinder head gasket	2G01-011C	1	28	Pulley washer	2B34-13*52*14	1
5	In. & Ex. valve assembly	3B13-AP80	1	29	Hexagon bolt set	3B00-SM12*050V	1
6	Valve seat gasket	2G03-005C	1	30	Exhaust elbow	2N06-06T06H	3
7	Double head screw set	3B11-003-A	8	31	Pressure relief valve	2406020	1
8	Cylinder	3201015G	1	32	Exhaust tube set	3B2-06*610	1
9	Cylinder gasket	2G04-009	2	33	Air filter set	2140009	1
10	Piston ring set	3B32-80N	1	34	Filter element	2142002	1
11	Piston set	3B31-80L	1	35	Cylinder head	3101043	1
12	Rod set	3B33-P2338X	1	36	Allen bolt set	3B01-M06*040V	4
13	Crank rod bush(2 pieces)	2316001-BX	2	37	Cylinder head gasket	2G01-015C	1
14	Crankcase	3301126B	1	38	In. & Ex. valve assembly	3B13-K5065C	1
15	Oil draining plug	2N33-002	1	39	Valve seat gasket	2G03-010H	1
16	Oil sight gauge set	2303016A	1	40	Cylinder	3201029	1
17	Oil filling plug set	2319004A	1	41	Piston ring set	3B32-65N	1
18	Bearing	2N35-6206X	2	42	Piston set	3B31-T65	1
19	Crankshaft & balancer	3304024	1	43	Rod set	3B33-TK3042X	1
20	Pulley key	2N47-63*09	1	44	Exhaust elbow	2N06-06T06T85	1
21	Rear bearing seat gasket	2G06-002	1	45	Spare tank	3125001	1
22	Oil mesh	2352001	1	46	Nipple	2N01-001	1
23	Rear bearing seat	3311002	1	47	Brass three way pipe	2C03-C222	1
24	Hexagon bolt	2B00-SM10*025	6	48	Ball valve	2413010	1

MODEL : GT55-250G2 (Receive Tank)



SPARE PARTS LIST

NO : EFX-2111

REF. NO.	DESCRIPTION	PART NO.	QTY.	REF. NO.	DESCRIPTION	PART NO.	QTY.
1	Air tank	3401A190A	1	14	Tube	3T03-W02*1000G	1
2	Ball valve	2413007X	2	15	Engine pulley	3PGF-045A2W0615	1
3	Tank wheel	2402059	4	16	Hexagon bolt	2B07-SM08*16	2
4	Unloading valve	3407024	1	17	V-belt	2N31-A60	2
5	Exhaust elbow	2N06-04T06H	1	18	Belt guard	3426045B	1
6	Exhaust soft Tube	2T02-06*0650	1	19	Hexagon bolt set	3B00-FM08*015W	4
7	Pressure relief valve	2406043CE	1	20	Motor feet bolt set	3B08-FM08*20-B	4
8	Brass three way pipe	2N03-C222	1	21	Motor feet bolt set	3B08-FM08*42-G	4
9	Ball valve	2413001X	1	22	Rubber pad set	3439006-A	6
10	Exhaust elbow	2N08-04T04TES	1	23	Base	3403168A	1
11	Pressure gauge	2D12-25V20KL	1	24	Tank wheel bolt	2418005	4
12	Idling device	2423030	1	25	Elbow	2N16-C01TW02M	1
13	Idling device nut	2B23-CW02FPU	1				