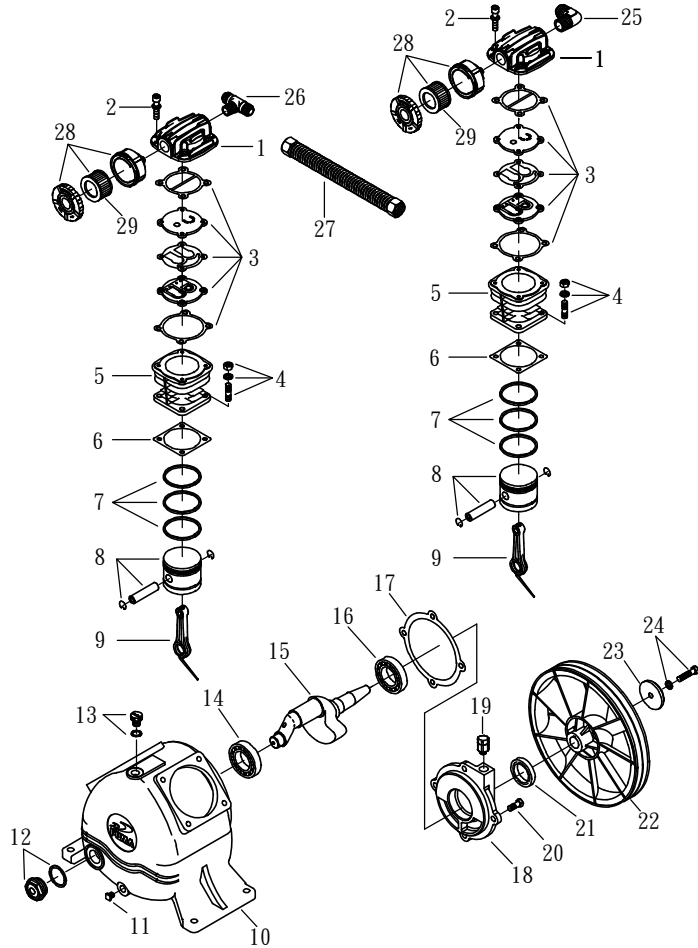


MODEL : PK2090IS2(Pump)

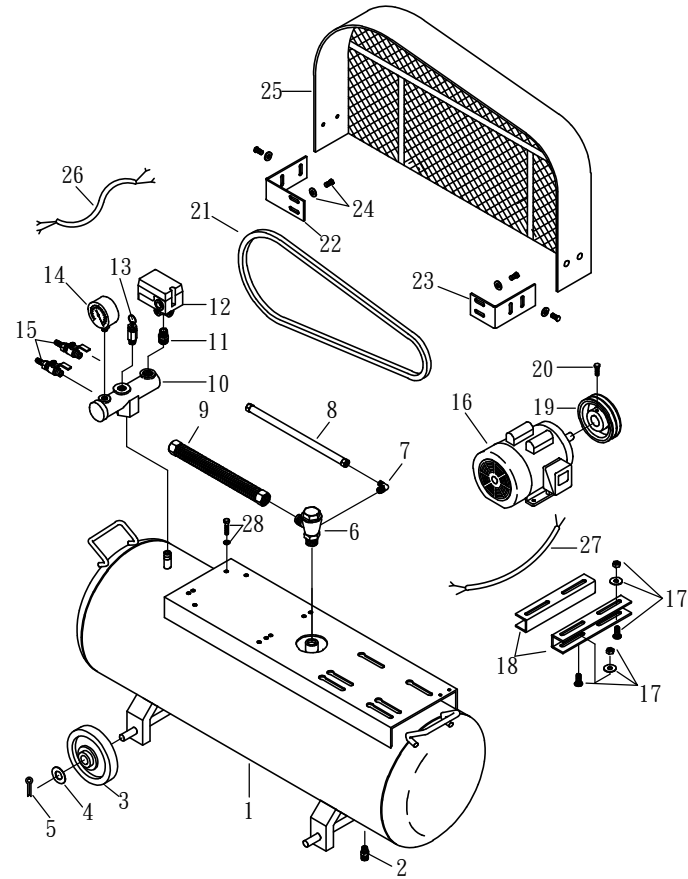


SPARE PARTS LIST

NO : EFX-2111

REF. NO.	DESCRIPTION	PART NO.	QTY.	REF. NO.	DESCRIPTION	PART NO.	QTY.
1	Cylinder head	3101103	2	16	Bearing	2N35-6205ZX	1
2	Allen bolt set	3B01-M06*040V	8	17	Rear bearing seat gasket	2G06-008	1
3	In. & Ex. valve assembly	3B13-AC0765C	2	18	Rear bearing seat	3311034	1
4	Double head screw set	3B11-001-A	8	19	Breathing cover	2321008	1
5	Cylinder	3201035G	2	20	Hexagon bolt	2B00-SM08*020	4
6	Cylinder gasket	2G04-003	2	21	Oil seal	2N50-TC24*47*07	1
7	Piston ring set	3B32-65N	2	22	Pulley	3PBF-105A124	1
8	Piston set	3B31-65N	2	23	Plate washer	2B30-08*35*35	1
9	Rod set	3B33-H20601	2	24	Hexagon bolt set	3B00-SM08*035AV	1
10	Crankcase	3301125B	1	25	Exhaust elbow	2N06-04T04H	1
11	Oil draining plug	2N33-002	1	26	Exhaust three way pipe	2N09-04H04T04H1	1
12	Oil sight gauge set	2303012A	1	27	Exhaust tube set	3B2-04*240	1
13	Oil filling plug set	2319003A	1	28	Air filter set	2140020A	2
14	Bearing	2N35-6204X	1	29	Filter element	2142013	2
15	Crankshaft & balancer	3304038	1				

MODEL : PK2090IS2 (Receiver Tank)



SPARE PARTS LIST

NO : EFX-2111

REF. NO.	DESCRIPTION	PART NO.	QTY.	REF. NO.	DESCRIPTION	PART NO.	QTY.
1	Air tank	3401A101	1	15	Ball valve	2413001X	2
2	Drain valve	2405012	1	16	Motor	2M02-F25207	1
3	Tank wheel	2402002	4	17	Motor feet bolt set	3B08-FM08*20-M	8
4	Plate washer	2B30-13*26*12	4	18	Motor base	3421003	2
5	Cotter pin	2N40-W01*10	4	19	Motor pulley	3PMF-030A1M2408	1
6	Check valve	2414025	1	20	Allen bolt	2B07-SM08*20	2
7	Unloading elbow	2N06-01T02H	1	21	V-belt	2N31-A46	1
8	Unloading tube	3B2-02*660F	1	22	Set bracket	3427008	1
9	Exhaust tube set	3B2-04*470	1	23	Set bracket	3427028	1
10	Exhaust manifold	2N09-04H04T04H1	1	24	Hexagon head bolt	3B00-FM08*015W	8
11	Nipple	2N01-001	1	25	Belt guard	3426017	1
12	Pressure switch	2E21-031P	1	26	Cable	2E02-252020Y2Q	1
13	Pressure relief valve	2406052X	1	27	Cable	2E02-252125Y2Q	1
14	Pressure gauge	2D12-25V20K	1	28	Hexagon bolt set	3B00-FM08*025V	4