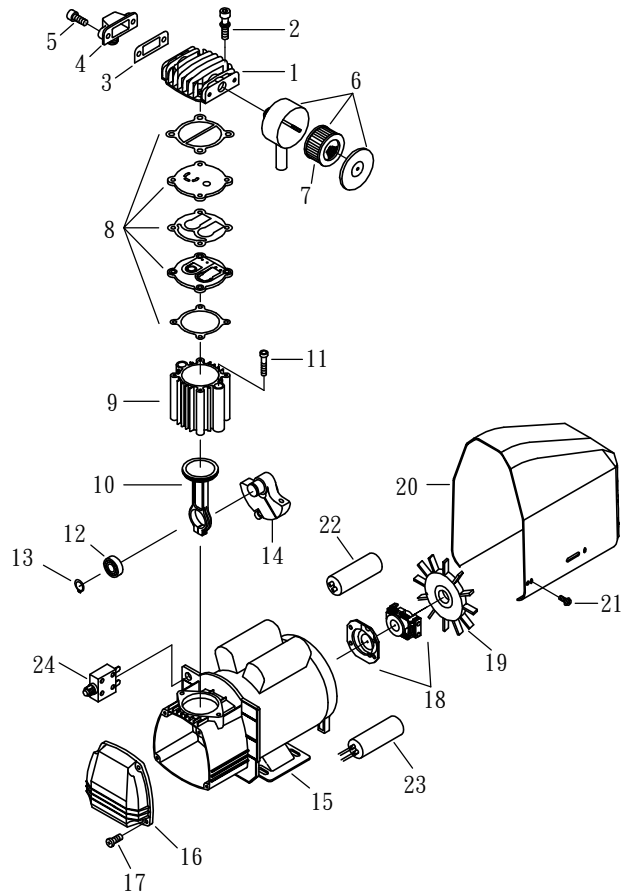


MODEL :OLD20-10V (Pump)

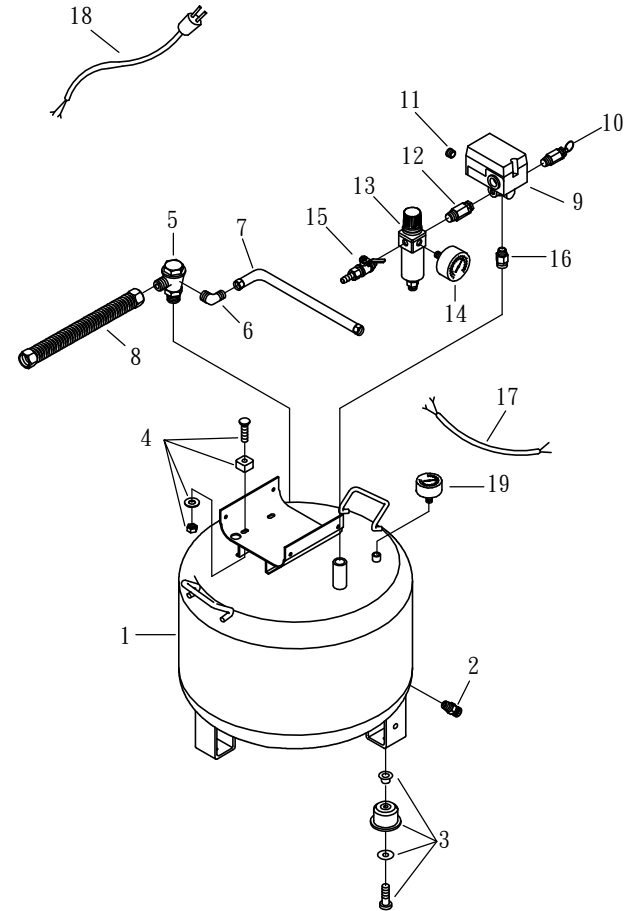


SPARE PARTS LIST

NO : EF-2011

REF. NO.	DESCRIPTION	PART NO.	QTY.	REF. NO.	DESCRIPTION	PART NO.	QTY.
1	Cylinder head	3101042	1	13	Retainer	2N42-S17	1
2	Allen bolt set	3B01-M06*040V	4	14	Crankshaft & balancer	3304095	1
3	Exhaust elbow gasket	2G09-001H	1	15	Motor set	3B8-OF2007	1
4	Exhaust elbow	2N06-04H1	1	16	Front cover	3309015	1
5	Allen bolt	2B01-M08*020	2	17	Bolt	2B02-FM6*015	4
6	Air filter set	2140037	1	18	Centrifugal switch set	2E24-14064P	1
7	Filter element	2142021	1	19	Cooling fan	2336037-2	1
8	Inlet&Exhaust valve seat	3B13-AC0763	1	20	Shroud	2428003	1
9	Cylinder	3201050	1	21	Bolt	2B00-FM05*010WB	6
10	Rod set	3B3-OF20	1	22	Starting capacitor	2E28-300F2540	1
11	Allen bolt	2B01-M08*040	2	23	Running capacitor	2E27-040F2540	1
12	Bearing	2N35-6303LLB	1	24	Circuit breaker	2E25-10A	1

MODEL :OLD20-10V (Receive Tank)



SPARE PARTS LIST

NO : EF-2011

REF. NO.	DESCRIPTION	PART NO.	QTY.	REF. NO.	DESCRIPTION	PART NO.	QTY.
1	Air tank	3401A064	1	11	Plug	2B14-ST02E	1
2	Drain valve	2405011	1	12	Nipple	2N01-02T02TC050	1
3	Rubber pad set	3433011-A	1	13	Regulator	2408032	1
4	Motor feet set bolt set	3B08-FM08*30-A	4	14	Pressure gauge	2D12-15D15KS	1
5	Check valve	2414025RT	1	15	Ball valve	2413001	1
6	Unloading elbow	2N06-01T02H	1	16	Nipple	2N01-04T02TS115	1
7	Unloading tube	3B2-02*630F	1	17	Cable	2E02-2020502Y2T	1
8	Exhaust tube set	3B2-04*380	1	18	Power cable	2E01-001	1
9	Pressure switch	2E21-023	1	19	Pressure gauge	2D12-20D14KS	1
10	Pressure relief valve	2406021T	1				